

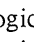
# STR-D350Z/D450Z/DE405/DE505

## SERVICE MANUAL

US Model  
Canadian Model



Photo : STR-DE505

Manufactured under license from Dolby Laboratories Licensing Corporation. Additionally licensed under Canadian patent number 1,037,877. "Dolby", the double-D symbol  and "Pro Logic" are trademarks of Dolby Laboratories Licensing Corporation.

### Audio power specifications

### POWER OUTPUT AND TOTAL HARMONIC DISTORTION

#### US Model :

With 8-ohm load, both channels driven, from 20 - 20,000 Hz, rated 100 watts (STR-DE505/D450Z), 80 watts (STR-DE405) or 60 watts (STR-D350Z) per channel minimum RMS power, with no more than 0.09 % total harmonic distortion from 150 milliwatts to rated output.

#### Canadian Model :

20 - 20,000 Hz 0.09%  
100W+100W (STR-D450Z, DE505)  
20 - 20,000 Hz 0.09%  
70W+70W (STR-D350Z, DE405)

## SPECIFICATIONS

### Amplifier section

Surround mode (8 ohms at 1 kHz, THD 0.8 %)  
Front:  
STR-DE505/D450Z:  
100 W/ch  
STR-DE405:  
US model : 80W/ch  
Canadian model : 70W/ch  
STR-D350Z:  
US model : 60W/ch  
Canadian model : 70W/ch  
Center:  
STR-DE505/D450Z:  
100 W  
STR-DE405:  
US model : 80W  
Canadian model : 70W  
STR-D350Z:  
US model : 60W  
Canadian model : 70W  
(only in the PRO LOGIC mode)  
Rear:  
STR-DE505/D450Z:  
100 W  
STR-DE405:  
US model : 80W  
Canadian model : 70W  
STR-D350Z:  
US model : 60W  
Canadian model : 70W  
PHONO: RIAA equalization curve  $\pm 0.5$  dB  
CD, TAPE/MD, VIDEO: 10 Hz - 50 kHz  $\pm 1$  dB

Frequency response

### Inputs

	Sensitivity	Impedance	S/N (weighting network, input level)
PHONO (MM)	2.5 mV	50 kilohms	74 dB 72 dB* (A, 2.5 mV)
CD	200 mV		
TAPE/MD, TV/DBS, VIDEO	150 mV	50 kilohms	82dB 82dB* (A, 150mV)

\* '78 IHF

### Outputs

TAPE/MD REC OUT:  
Voltage 150 mV,  
Impedance 10 kilohms  
VIDEO AUDIO OUT:  
Voltage 150 mV,  
Impedance 10 kilohms  
MIX AUDIO OUT  
(STR-DE505 only)  
Voltage: 2 V  
Impedance: 10 kilohms  
PHONES: Accepts low and high impedance headphones

— Continued on page 2 —

FM STEREO/FM-AM RECEIVER  
**SONY**<sup>®</sup>

Muting	Full mute	Usable sensitivity	50 dB/m (at 1,000 kHz or 999 kHz)	Power requirements	120 V AC, 60 Hz
BASS BOOST	+10 dB at 70 Hz	S/N	54 dB (at 50 mV/m)	Power consumption	STR-DE505/D450Z US model : 200W Canadian model : 295VA
TONE	±8 dB at 100 Hz and 10 kHz	Harmonic distortion	0.5 % (50 mV/m, 400 kHz)		STR-DE405 US model : 165W Canadian model : 225VA
<b>FM tuner section</b>		Selectivity	At 9 kHz: 35 dB At 10 kHz: 40 dB		STR-D350Z US model : 150W Canadian model : 225VA
Tuning range	87.5 - 108.0 MHz	** You can change the AM tuning interval to 9 kHz. After tuning in any AM station, turn off the receiver. Hold down the TUNING + button and press the POWER button. All preset stations will be erased when you change the interval. To reset the interval to 10 kHz, repeat the procedure.		AC outlets	1 switched, total 120 W / 1A Max
Antenna terminals	75 ohms, unbalanced 300 ohms, unbalanced			Dimensions	430 x 148 x 295 mm (17 x 5 7/8 x 11 1/8 inches)
Sensitivity	Mono: 18.3 dBf, 4.5 μV Stereo: 38.3 dBf, 45 μV			Mass (Approx.)	STR-DE505/D450Z: 7.3 kg (16 lb 1 oz) STR-DE405/D350Z: 6.5 kg (14 lb 5 oz)
Usable sensitivity	11.2 dBf, 2 μV (IHF)	<b>Video section</b>		Supplied accessories	FM wire antenna (1) AM loop antenna (1) Remote controller (remote) (1) Size AA (R6) batteries (2)
S/N	Mono: 76 dB Stereo: 70 dB	Inputs	VIDEO, TV/DBS: 1 Vp-p 75 ohms	Design and specifications are subject to change without notice.	
Harmonic distortion at 1 kHz	Mono: 0.3 % Stereo: 0.5 %	Outputs	VIDEO: 1 Vp-p 75 ohms MONITOR: 1 Vp-p 75 ohms		
Separation	45 dB at 1 kHz	<b>General</b>			
Frequency response	30 Hz - 15 kHz ±0.5 dB	System	Tuner section: PLL quartz-locked digital synthesizer system Preamplifier section: Low-noise NF type equalizer Power amplifier section: Pure-complimentary SEPP		
Selectivity	60 dB at 400 kHz				
<b>AM tuner section</b>					
Tuning range	With 10 kHz interval**: 530 - 1710 kHz With 9 kHz interval: 531 - 1710 kHz				
Antenna	Loop antenna				

## TABLE OF CONTENTS

<i>Section</i>	<i>Title</i>	<i>Page</i>
	specifications .....	1
<b>1. GENERAL</b>		
	Location and Function of controls .....	4
<b>2. EXPLANATION OF IC TERMINALS</b> .....		6
<b>3. DIAGRAMS</b>		
	3-1. Circuit Boards Location .....	8
	3-2. Printed Wiring Boards (Main Section).....	9
	3-3. Schematic Diagram (Main Section) .....	13
	3-4. Schematic Diagram (Display Section) .....	18
	3-5. Printed Wiring Boards (Display Section).....	21
<b>4. EXPLODED VIEWS</b>		
	4-1. Front panel Section .....	24
	4-2. Chassis Section .....	25
<b>5. ELECTRICAL PARTS LIST</b> .....		26

## SAFETY CHECK-OUT

After correcting the original service problem, perform the following safety check before releasing the set to the customer:

Check the antenna terminals, metal trim, "metallized" knobs, screws, and all other exposed metal parts for AC leakage. Check leakage as described below.

### LEAKAGE TEST

The AC leakage from any exposed metal part to earth ground and from all exposed metal parts to any exposed metal part having a return to chassis, must not exceed 0.5 mA (500 microamperes). Leakage current can be measured by any one of three methods.

1. A commercial leakage tester, such as the Simpson 229 or RCA WT-540A. Follow the manufacturers' instructions to use these instruments.
2. A battery-operated AC milliammeter. The Data Precision 245 digital multimeter is suitable for this job.

3. Measuring the voltage drop across a resistor by means of a VOM or battery-operated AC voltmeter. The "limit" indication is 0.75 V, so analog meters must have an accurate low-voltage scale. The Simpson 250 and Sanwa SH-63Trd are examples of a passive VOM that is suitable. Nearly all battery operated digital multimeters that have a 2 V AC range are suitable. (See Fig. A)

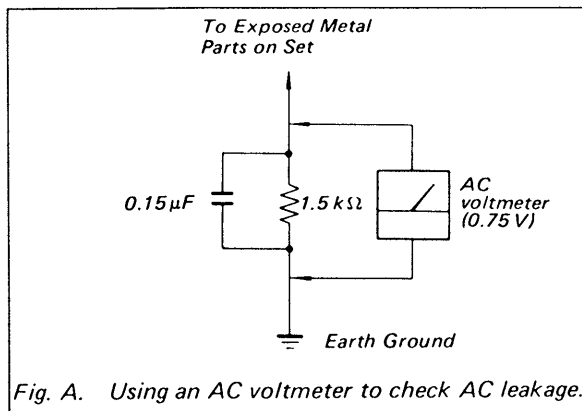


Fig. A. Using an AC voltmeter to check AC leakage.

### SAFETY-RELATED COMPONENT WARNING!!

COMPONENTS IDENTIFIED BY MARK  $\triangle$  OR DOTTED LINE WITH MARK  $\triangle$  ON THE SCHEMATIC DIAGRAMS AND IN THE PARTS LIST ARE CRITICAL TO SAFE OPERATION. REPLACE THESE COMPONENTS WITH SONY PARTS WHOSE PART NUMBERS APPEAR AS SHOWN IN THIS MANUAL OR IN SUPPLEMENTS PUBLISHED BY SONY.

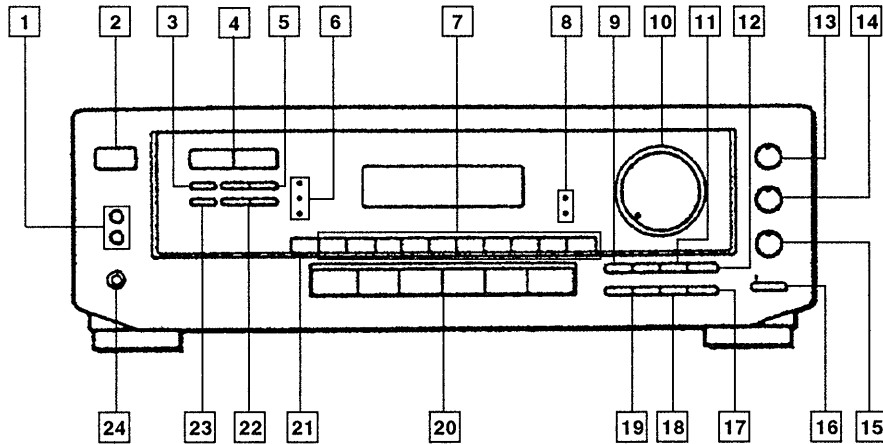
### ATTENTION AU COMPOSANT AYANT RAPPORT À LA SÉCURITÉ!

LES COMPOSANTS IDENTIFIÉS PAR UNE MARQUE  $\triangle$  SUR LES DIAGRAMMES SCHÉMATIQUES ET LA LISTE DES PIÈCES SONT CRITIQUES POUR LA SÉCURITÉ DE FONCTIONNEMENT. NE REMPLACER CES COMPOSANTS QUE PAR DES PIÈCES SONY DONT LES NUMÉROS SONT DONNÉS DANS CE MANUEL OU DANS LES SUPPLÉMENTS PUBLIÉS PAR SONY.

## SECTION 1 GENERAL

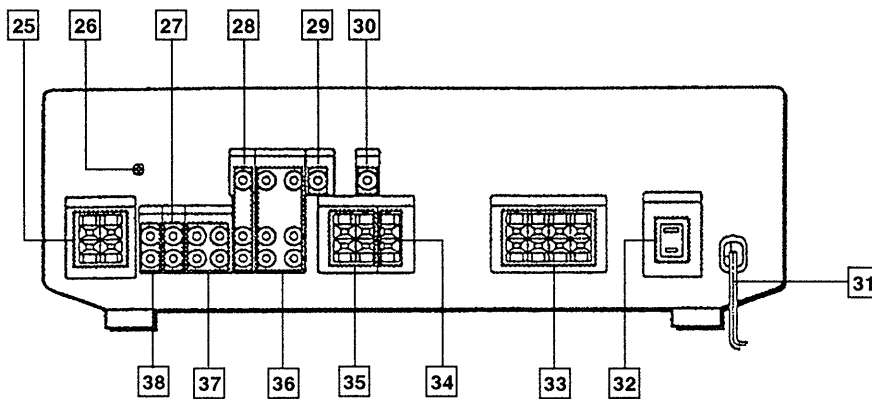
### LOCATION AND FUNCTION OF CONTROLS

#### [FRONT PANEL]



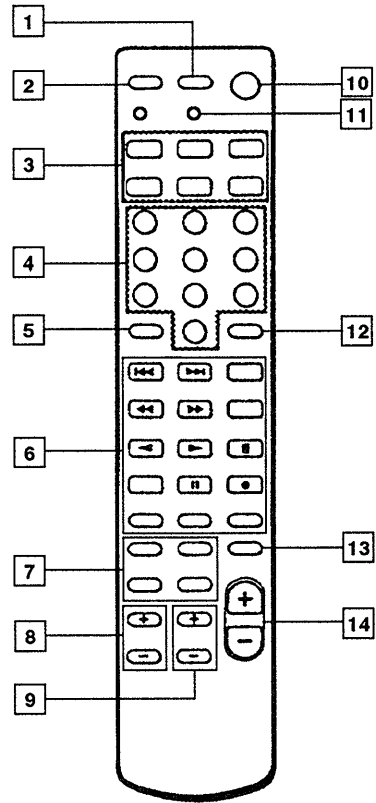
- |   |                                    |    |                             |    |                          |
|---|------------------------------------|----|-----------------------------|----|--------------------------|
| 1 | SPEAKERS switches                  | 9  | PRESET TUNING +, - buttons  | 18 | FM/AM button             |
| 2 | POWER switch                       | 10 | MASTER VOLUME control       | 19 | TUNING +, - buttons      |
| 3 | CENTER MODE button                 | 11 | SHIFT button                | 20 | FUNCTION buttons         |
| 4 | SURROUND ON/OFF, MODE buttons      | 12 | FM MODE button              | 21 | DIRECT button            |
| 5 | CENTER LEVEL +, - buttons          | 13 | BASS control                | 22 | REAR LEVEL +, - buttons  |
| 6 | PROLOGIC, THEATER, HALL indicators | 14 | TREBLE control              | 23 | DELAY TIME/EFFECT button |
| 7 | Numeric button                     | 15 | BALANCE control             | 24 | PHONES jack              |
| 8 | VIDEO, TV/DBS indicators           | 16 | BASS BOOST button/indicator |    |                          |
|   |                                    | 17 | MEMORY button               |    |                          |

#### [REAR PANEL]



- |    |                 |    |                                |    |                          |
|----|-----------------|----|--------------------------------|----|--------------------------|
| 25 | ANTENNA (AM/FM) | 30 | MIX AUDIO OUT (STR-DE505 only) | 35 | SURROUND SPEAKERS (REAR) |
| 26 | ground terminal | 31 | AC power cord                  | 36 | VIDEO                    |
| 27 | CD              | 32 | SWITCHED AC OUTLET             | 37 | TAPE/MD                  |
| 28 | TV/DBC          | 33 | FRONT SPEAKERS (A/B)           | 38 | PHONO                    |
| 29 | MONITOR         | 34 | SURROUND SPEAKER (CENTER)      |    |                          |

**[Remote]**



- |                                   |   |
|-----------------------------------|---|
| <b>1</b> VISUAL POWER button      | <b>8</b> REAR LEVEL + , - buttons                         |
| <b>2</b> TV control button        | <b>9</b> CENTER LEVEL + , - buttons                       |
| <b>3</b> FUNCTION buttons         | <b>10</b> SYSTEM OFF button                               |
| <b>4</b> Numeric buttons          | <b>11</b> LEARN button/indicator (DE505 : Canadian model) |
| <b>5</b> >10/SHIFT button         | <b>12</b> ENTER button                                    |
| <b>6</b> TV/Deck control buttons  | <b>13</b> MUTING button                                   |
| <b>7</b> SURROUND control buttons | <b>14</b> MASTER VOLUME + / - buttons                     |

## SECTION 2 EXPLANATION OF IC TERMINALS

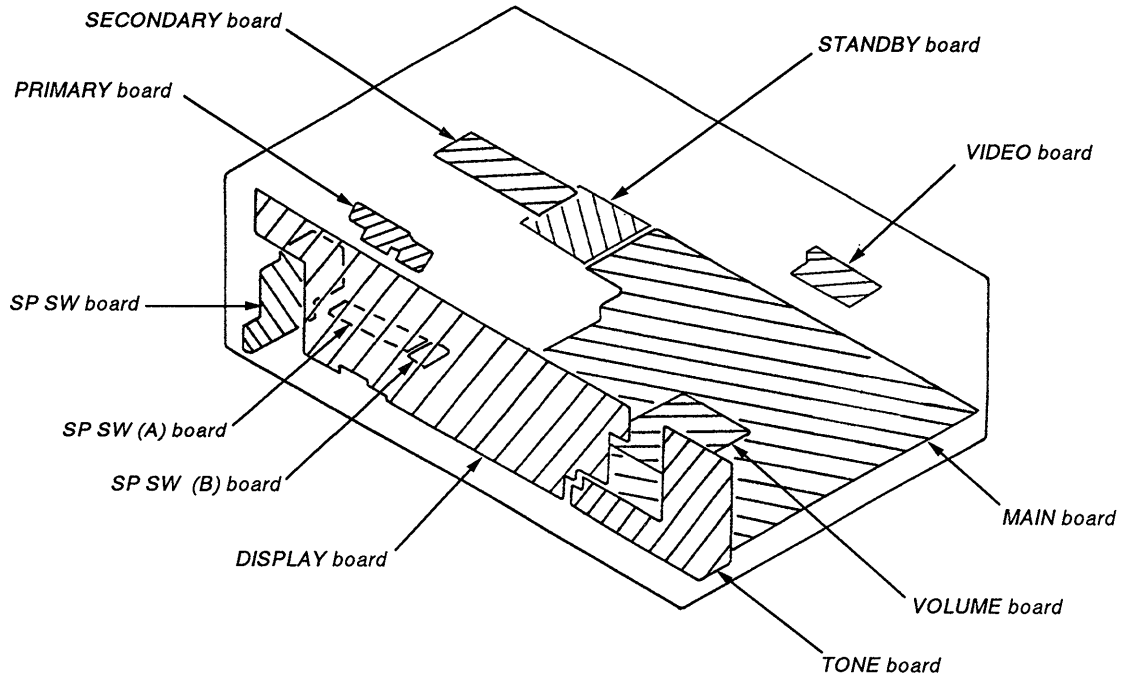
IC201 (  $\mu$  PD78044AGF-165-3B9)

Pin No.	Pin name	I/O	Description
1	DIG7	O	Fluorescent indicator tube drive.
2	DIG6	O	
3	DIG5	O	
4	DIG4	O	
5	DIG3	O	
6	DIG2	O	
7	DIG1	O	
8	+5V	—	Power supply. (+5V)
9	$\overline{S. CLK}$	I	System clock.
10	$\overline{S. DATA}$	I	System data.
11	$\overline{PLL. DATA}$	I	PLL data input from TU001.
12	S. CE (LC7288)	O	Chip enable output.
13	$\overline{S. CE (LVI00)}$	I	Chip enable input.
14	VERISON	I	Input for model select.
15	$\overline{PROTECT}$	I	Protector detect input.
16	BRIDGE	O	Standby relay ON/OFF control.
17	$\overline{RESET}$	I	System reset terminal.
18	$\overline{AUTO-STOP}$	I	Auto stop detect input.
19	$\overline{STEREO-IN}$	I	Stereo detect input.
20	AVss	—	Ground.
21	SP-RY	O	Speaker relay drive.
22	SURR-RY	—	Not used. (Open)
23	POWER-RY	O	Power relay drive.
24	DOWN	O	Volume down control.
25	UP	O	Volume up control.
26	SIGNAL	I	A/D signal input terminal.
27	A/D2	I	A/D2 key input terminal.
28	A/D1	I	A/D1 key input terminal.
29	AVDD	—	Power supply. (+5V)
30	AV. REF	—	Reference voltage. (+5V)
31	GND	—	Ground.
32	NC	—	Not used. (Open)
33	Vss	—	Ground.
34	X1	—	System clock. (4.19MHz)
35	X2	—	System clock. (4.19MHz)
36	IC. MUTE	O	Mute drive output for $\mu$ PD2581V (IC701).
37	$\overline{PROLOGIC}$	—	Plologic LED drive.
38	$\overline{SIMULATED}$	—	Theater LED drive.
39	$\overline{HALL}$	—	Hall LED drive.
40	T. MUTE	O	Tuner mute drive output.

Pin No.	Pin name	I/O	Description
41	$\overline{\text{VIDEO}}$	–	Video LED drive.
42	$\overline{\text{TV/LD}}$	–	TV/DBS LED drive.
43	$\overline{\text{STANDBY}}$	–	Standby LED drive.
44	$\overline{\text{SYS. POWER}}$	I	System power ON/OFF.
45	RDS. DATA. IN	–	Not used. (Open)
46	RDS. CLK. IN	–	Not used. (Open)
47	$\overline{\text{STOP}}$	I	Stop signal input from NJM2103D (IC950).
48	Vss	–	Ground.
49	$\overline{\text{SIRCS}}$	I	Sircs signal input.
50	$\overline{\text{POWER SW}}$	I	Power switch input terminal.
51	NC	–	Ground.
52	+5V	–	Power supply. (+5V)
53	LOW BOOST	–	Bass boost LED drive.
54	FUNC. MUTE	O	Line mute drive.
55	NC	–	Ground.
56	KI5	I	Key in 5.
57	KI4	I	Key in 4
58	KI3	I	Key in 3
59	KI2	I	Key in 2
60	KI1	I	Key in 1.
61	– 20DB	–	Connect to ground.
62	S15	O	Key out 15.
63	S14	O	Key out 14.
64	S13	O	Key out 13.
65	S12	O	Key out 12.
66	S11	O	Key out 11.
67	S10	O	Key out 10.
68	S9	O	Key out 9.
69	S8	O	Key out 8.
70	S7	O	Key out 7.
71	VLOAD	–	Connect to ground.
72	S6	O	Key out 6.
73	S5	O	Key out 5.
74	S4	O	Key out 4.
75	S3	O	Key out 3.
76	S2	O	Key out 2.
77	S1	O	Key out 1.
78	DIG10	O	Fluorescent indicator tube drive.
79	DIG9	O	
80	DIG8	O	

# SECTION 3 DIAGRAMS

## 3-1. CIRCUIT BOARDS LOCATION

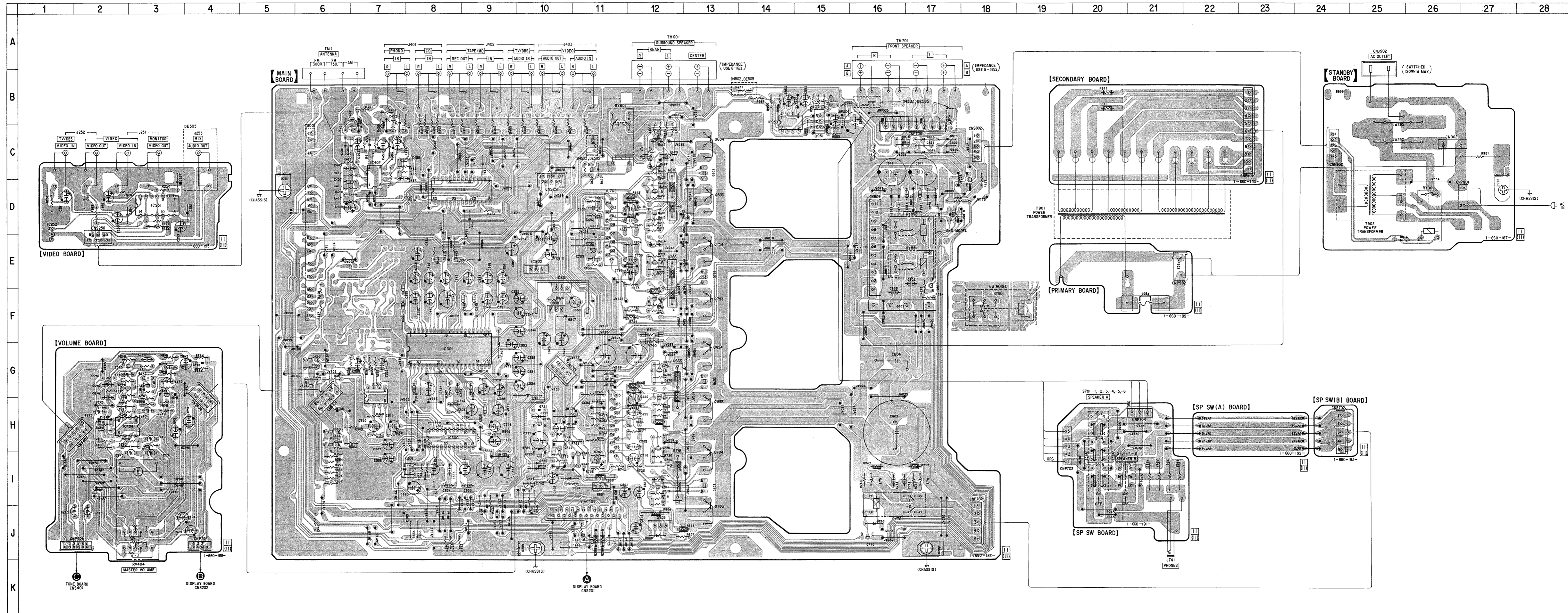




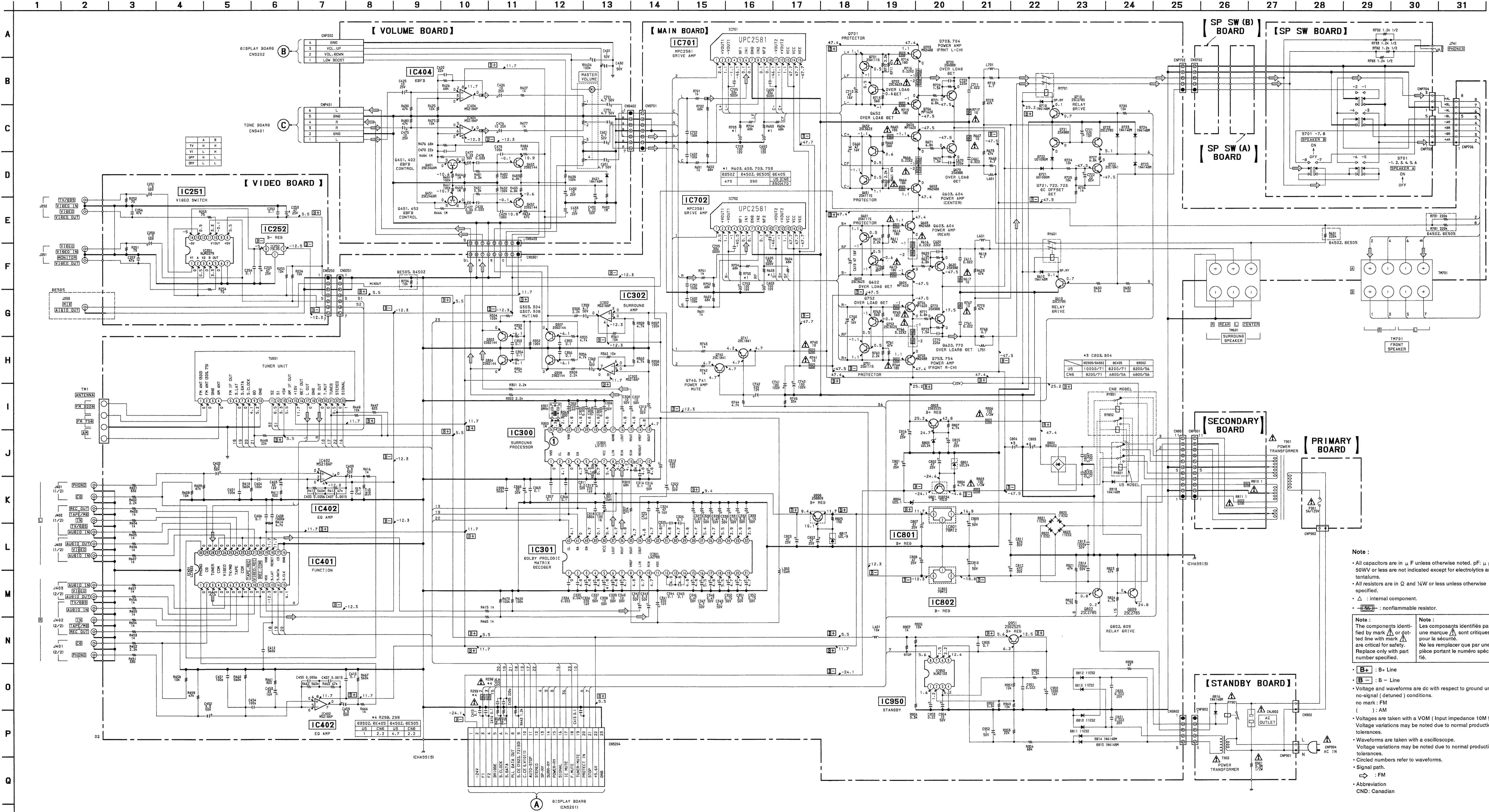
● SEMICONDUCTOR LOCATION

Ref. No.	Location	Ref. No.	Location
D421	G-4	Q308	H-6
D610	C-11	Q401	G-2
D710	H-16	Q402	G-2
D721	H-10	Q451	G-3
D722	H-10	Q452	G-3
D723	I-10	Q601	D-12
D724	H-10	Q602	C-13
D725	I-10	Q603	D-13
D801	I-10	Q604	C-13
D802	F-16	Q610	C-11
D804	J-11	Q620	D-12
D805	J-12	Q651	G-12
D810	C-17	Q652	G-13
D811	C-17	Q653	H-13
D812	C-17	Q654	G-13
D813	C-17	Q670	G-12
D814	C-16	Q701	I-12
D815	C-16	Q702	I-13
D816	E-25	Q703	I-13
D817	F-10	Q704	H-13
D818	D-17	Q710	J-16
D820	D-17	Q720	H-12
D821	D-17	Q721	H-10
D822	D-16	Q722	H-10
D823	D-16	Q723	I-10
IC251	D-3	Q740	I-11
IC252	D-1	Q741	I-11
IC300	H-8	Q751	F-12
IC301	G-8	Q752	E-13
IC302	G-7	Q753	F-13
IC401	D-8	Q754	E-13
IC402	C-7	Q770	E-12
IC404	H-2	Q801	I-11
IC701	H-11	Q802	C-18
IC702	D-11	Q803	J-12
IC801	E-10	Q808	F-10
IC802	E-10	Q809	E-17
IC950	B-14	Q951	B-15
Q303	H-6		
Q304	G-6		
Q307	G-6		

Note:  
 ○ : parts extracted from the component side.  
 ◐ : Pattern on the side which is seen.  
 • : abbreviation  
 CND: Canadian



3-3. SCHEMATIC DIAGRAM (MAIN SECTION) Refer to page 17 for IC Block Diagrams.



**Note :**

- All capacitors are in  $\mu F$  unless otherwise noted, pF:  $\mu F$  50WV or less are not indicated except for electrolytics and tantalums.
- All resistors are in  $\Omega$  and  $\frac{1}{4}W$  or less unless otherwise specified.
- $\Delta$  : internal component.
- $\square$  : nonflammable resistor.

**Note :**

The components identified by mark  $\Delta$  or dotted line with mark  $\Delta$  are critical for safety. Replace only with part number specified.

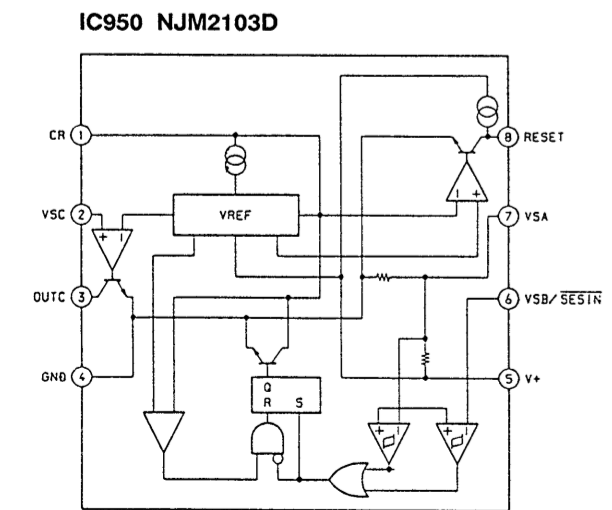
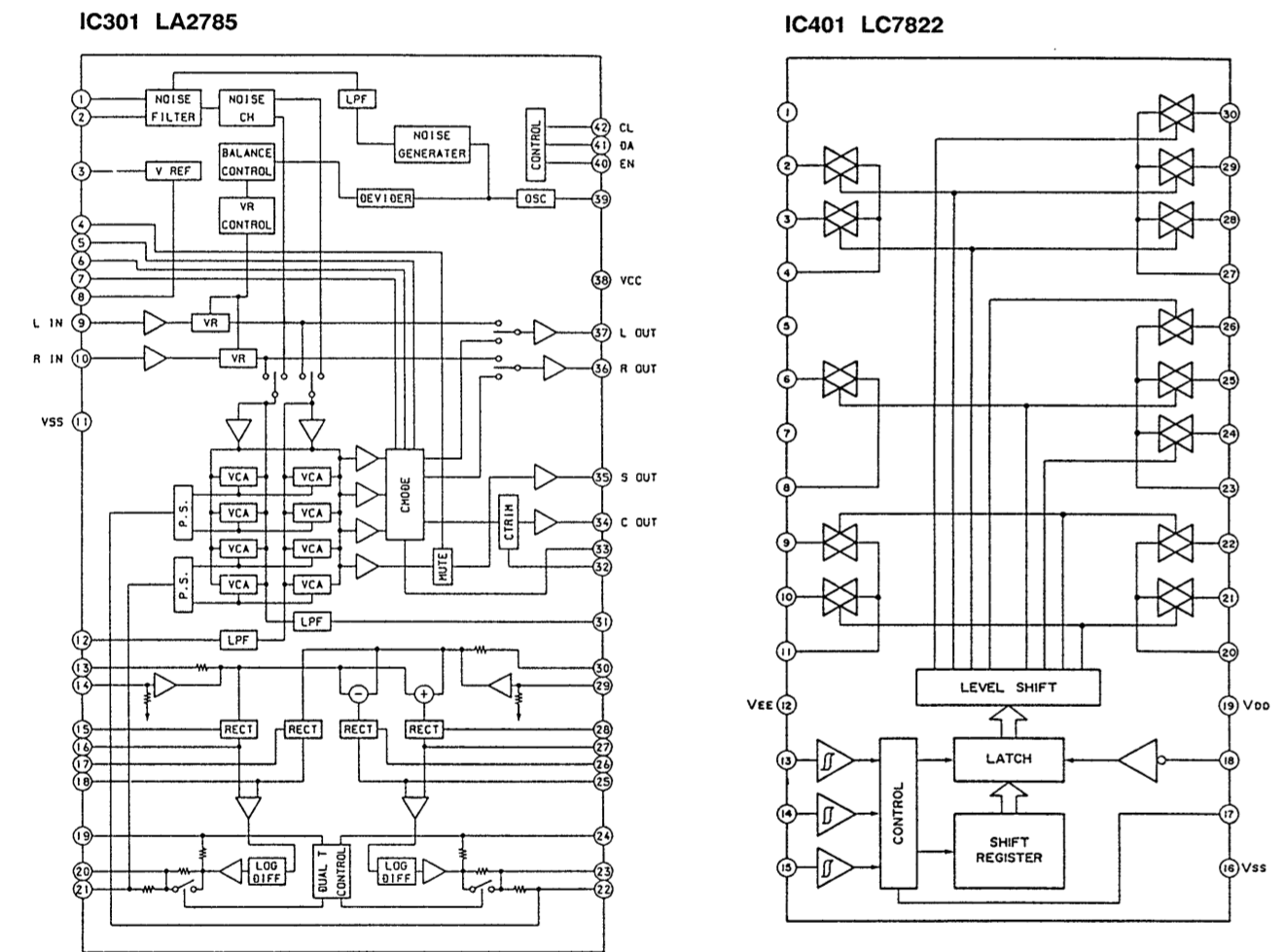
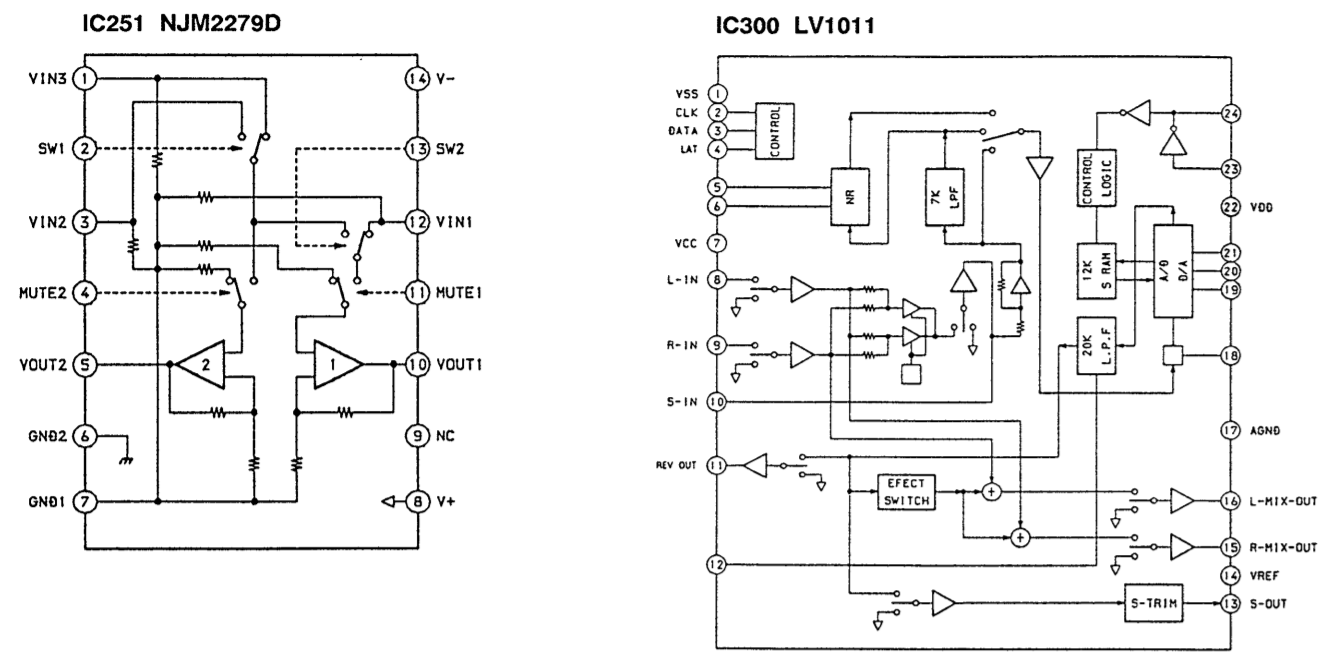
Les composants identifiés par une marque  $\Delta$  ou trait en pointillés avec une marque  $\Delta$  sont critiques pour la sécurité. Ne les remplacer que par une pièce portant le numéro spécifié.

**[ B+ ]** : B+ Line  
**[ B- ]** : B- Line

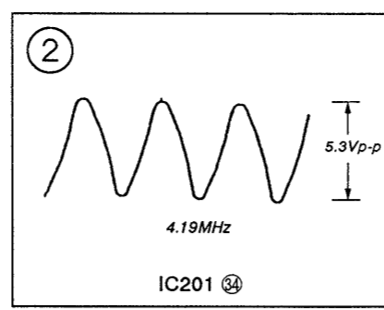
Voltage and waveforms are dc with respect to ground under no-signal (detuned) conditions.  
 ( ) : FM  
 ( ) : AM

Voltagés are taken with a VOM ( Input impedance 10M  $\Omega$  ). Voltage variations may be noted due to normal production tolerances.  
 Waveforms are taken with a oscilloscope. Voltage variations may be noted due to normal production tolerances.  
 Circled numbers refer to waveforms.  
 Signal path  
 $\rightarrow$  : FM  
 $\rightarrow$  : AM  
 CND : Canadian

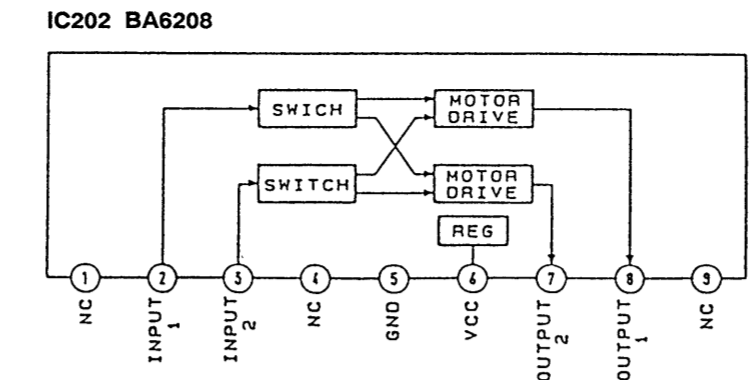
• IC BLOCK DIAGRAMS - MAIN SECTION -



• WAVEFORM



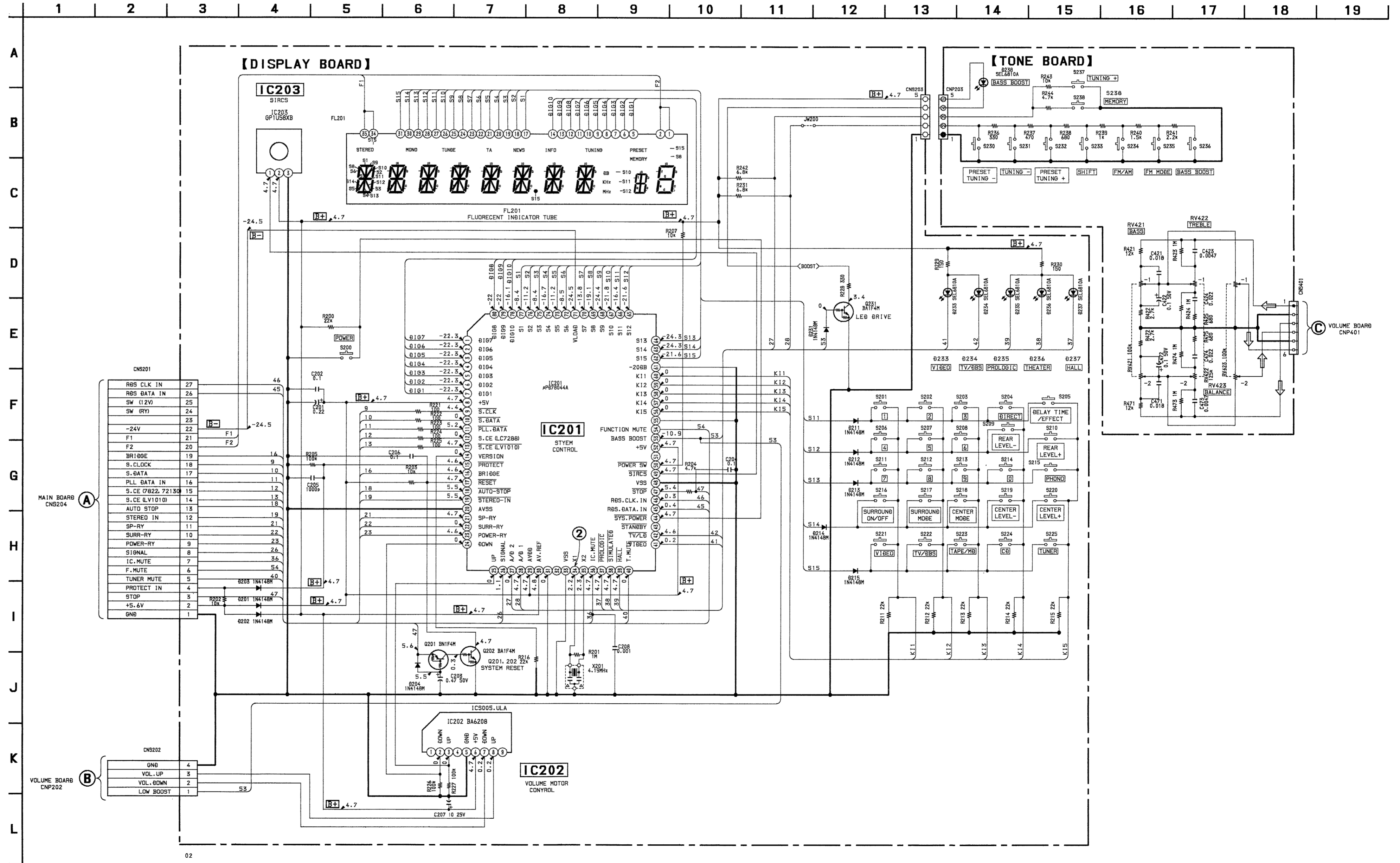
• IC BLOCK DIAGRAM - DISPLAY SECTION -



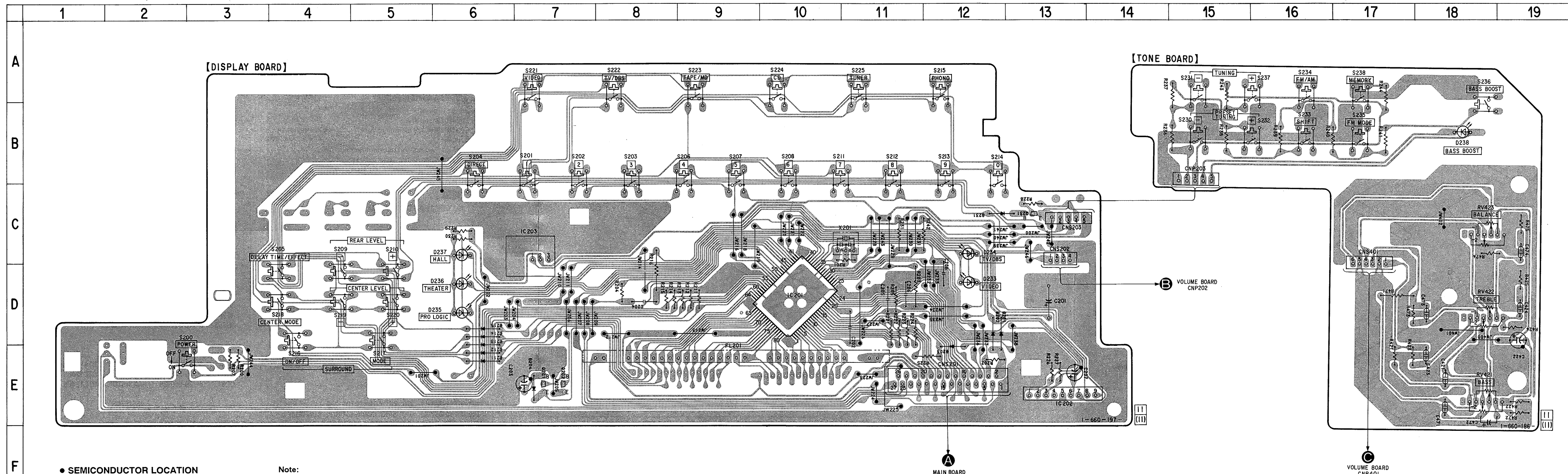
Note :

- All capacitors are in  $\mu F$  unless otherwise noted. pF,  $\mu F$ , 50WV or less are not indicated except for electrolytics and tantalums.
- All resistors are in  $\Omega$  and  $1/4W$  or less unless otherwise specified.
- $\Delta$  : Internal component.
- B+** : B+ Line
- B-** : B- Line
- Volume and waveforms are dc with respect to ground under no-signal (detuned) conditions.
- no mark : FM
- Voltagcs are taken with a VOM ( Input impedance 10M  $\Omega$  ). Voltage variations may be noted due to normal production tolerances.
- Waveforms are taken with an oscilloscope. Voltage variations may be noted due to normal production tolerances.
- Circled numbers refer to waveforms.
- Signal path.
- FM

3-4. SCHEMATIC DIAGRAM (DISPLAY SECTION)



3-5. PRINTED WIRING BOARDS (DISPLAY SECTION)



● SEMICONDUCTOR LOCATION

Ref. No.	Location	Ref. No.	Location
D201	D - 12	D236	D - 6
D202	D - 12	D237	C - 6
D203	E - 12	D238	B - 18
D204	E - 7		
D211	E - 6	IC201	D - 10
D212	E - 6	IC202	E - 13
D213	D - 6	IC203	C - 7
D214	D - 6		
D215	D - 6	Q201	E - 7
D231	C - 12	Q202	E - 7
		Q231	C - 13
D233	D - 12		
D234	C - 12		
D235	D - 6		

Note:

- — : parts extracted from the component side.
- ▨ : Pattern on the side which is seen.

## SECTION 4 EXPLODED VIEWS

**NOTE :**

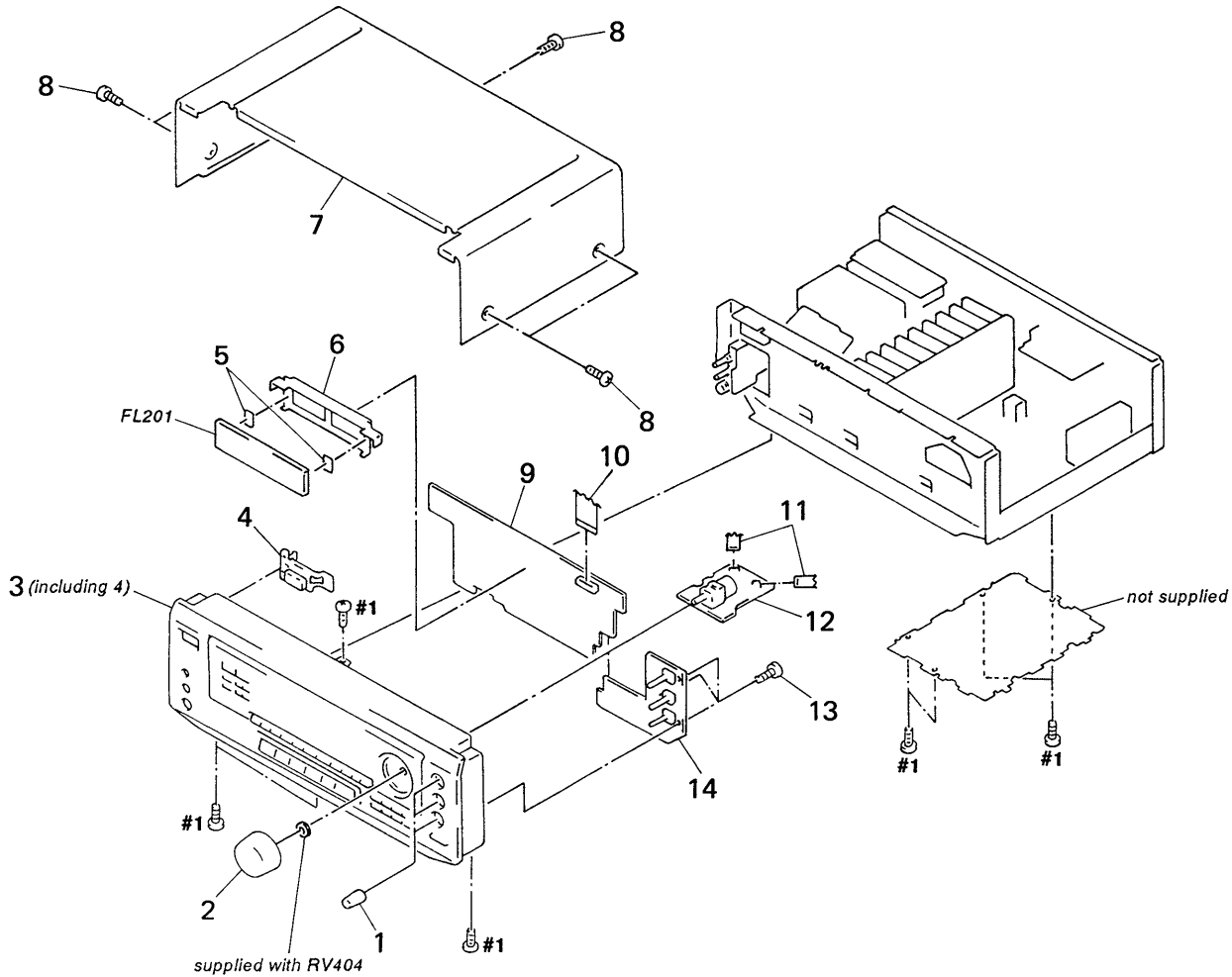
- -XX, -X mean standardized parts, so they may have some difference from the original one.
- Items marked “ \* ” are not stocked since they are seldom required for routine service. Some delay should be anticipated when ordering these items.

- The mechanical parts with no reference number in the exploded views are not supplied.
- Hardware (# mark) list and accessories and packing materials are given in the last of this parts list.
- Abbreviation  
CND : Canadian

The components identified by mark  $\Delta$  or dotted line with mark  $\Delta$  are critical for safety.  
Replace only with part number specified.

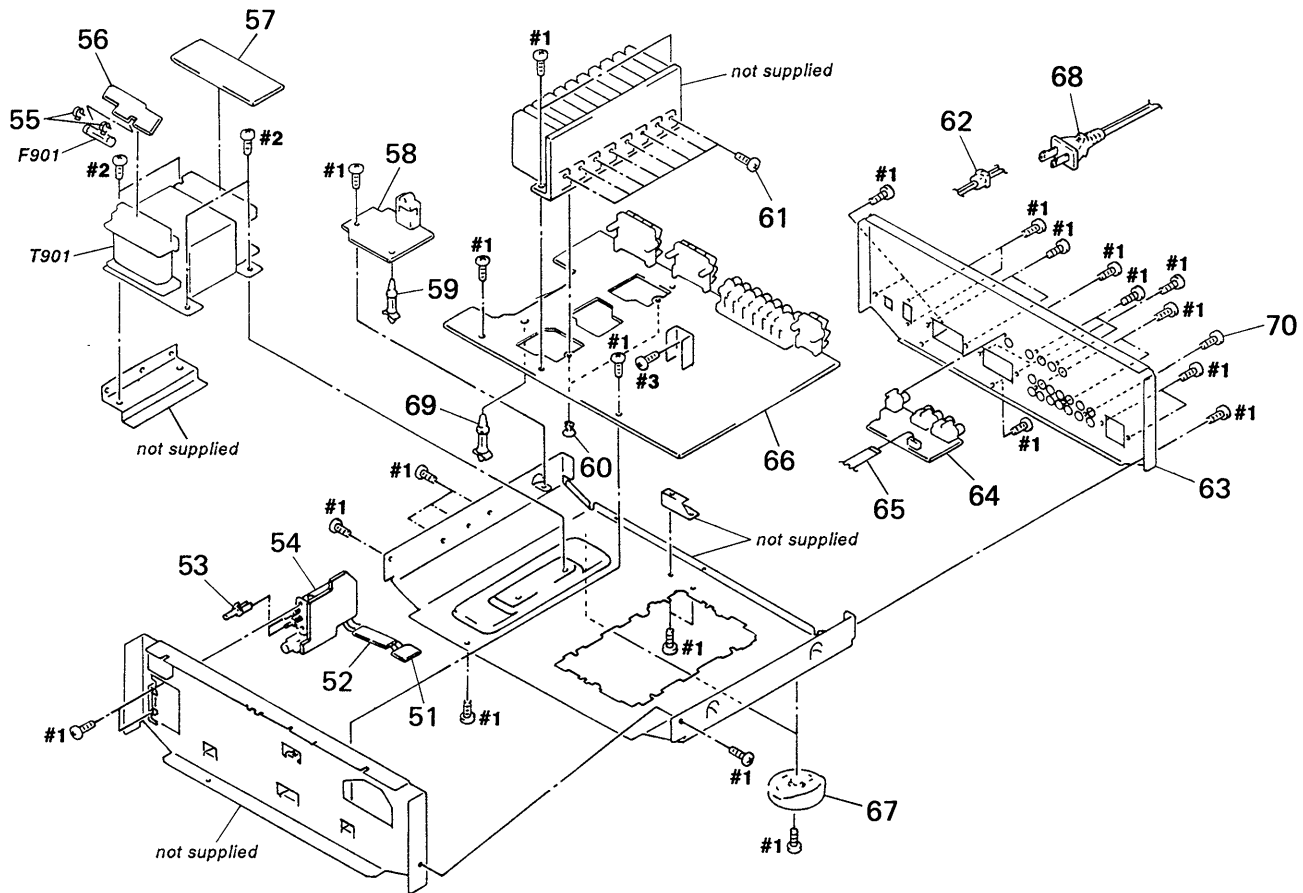
Les composants identifiés par une marque  $\Delta$  sont critiques pour la sécurité.  
Ne les remplacer que par une pièce portant le numéro spécifié.

### 4-1. FRONT PANEL SECTION



Ref. No.	Part No.	Description	Remark	Ref. No.	Part No.	Description	Remark
1	4-980-639-01	KNOB (R14)		8	3-704-366-01	SCREW (CASE) (M3X8)	
2	X-4946-873-1	KNOB (R48) ASSY		* 9	A-4389-631-A	DISPLAY BOARD, COMPLETE	
3	X-4946-866-1	PANEL ASSY, FRONT (DE405)		10	1-765-343-11	WIRE (FLAT TYPE) (23 CORE)	
3	X-4946-869-1	PANEL ASSY, FRONT (DE505)		11	1-765-314-11	WIRE (FLAT TYPE) (7 CORE)	
3	X-4947-050-1	PANEL ASSY, FRONT (D450Z)		* 12	A-4389-633-A	VOLUME BOARD, COMPLETE	
3	X-4947-051-1	PANEL ASSY, FRONT (D350Z)		13	4-951-620-01	SCREW (2.6X8), +BVTP	
4	4-980-109-01	BUTTON (P-M)		* 14	A-4389-634-A	tone BOARD, COMPLETE	
* 5	4-921-941-01	CUSHION (FL)		FL201	1-517-141-11	INDICATOR TUBE, FLUORESCENT	
* 6	4-943-107-11	HOLDER (FL TUBE)					
* 7	4-980-658-01	CASE (413226)					

## 4-2. CHASSIS SECTION



The components identified by mark  $\Delta$  or dotted line with mark  $\Delta$  are critical for safety. Replace only with part number specified.

Les composants identifiés par une marque  $\Delta$  sont critiques pour la sécurité. Ne les remplacer que par une pièce portant le numéro spécifié.

Ref. No.	Part No.	Description	Remark	Ref. No.	Part No.	Description	Remark
* 51	1-660-193-11	SP SW (B) BOARD		65	1-769-908-11	WIRE (FLAT TYPE) (9 CORE)	
* 52	1-660-192-11	SP SW (A) BOARD		* 66	A-4364-908-A	MAIN BOARD, COMPLETE (DE405:US)	
53	4-951-801-01	BUTTON (S)		* 66	A-4389-532-A	MAIN BOARD, COMPLETE (D350Z:CND/DE405:CND)	
* 54	1-660-191-11	SP SW BOARD		* 66	A-4389-640-A	MAIN BOARD, COMPLETE (D450Z:US/DE505:US)	
55	1-533-233-11	HOLDER, FUSE		* 66	A-4389-641-A	MAIN BOARD, COMPLETE (D450Z:CND/DE505:CND)	
* 56	1-660-189-11	PRIMARY BOARD		* 66	A-4390-701-A	MAIN BOARD, COMPLETE (D350Z:US)	
* 57	1-660-190-11	SECONDARY BOARD		67	X-4947-208-1	FOOT ASSY (F50150S)	
* 58	A-4389-632-A	STANDBY BOARD, COMPLETE		$\Delta$ 68	1-769-743-11	CORD, POWER	
* 59	4-924-098-31	HOLDER, PC BOARD		69	4-924-098-01	HOLDER, PC BOARD	
60	4-812-134-00	RIVET (DIA. 3.5), NYLON		70	4-909-982-11	SCREW, TAPPING	
61	3-905-609-01	SCREW (TRANSISTOR)		$\Delta$ F901	1-576-109-11	FUSE (5A/125V)	
* 62	3-703-244-00	BUSHING (2104), CORD		$\Delta$ T901	1-429-699-11	TRANSFORMER, POWER(D350Z:US/DE405:US)	
* 63	4-980-646-01	PANEL, BACK (DE505:US)		$\Delta$ T901	1-429-522-11	TRANSFORMER, POWER (D350Z:CND/DE405: CND)	
* 63	4-980-646-11	PANEL, BACK (DE505:CND)		$\Delta$ T901	1-429-525-11	TRANSFORMER, POWER(D450Z:US/DE505:US)	
* 63	4-980-646-61	PANEL, BACK (D450Z:US)		$\Delta$ T901	1-429-526-11	TRANSFORMER, POWER (D450Z:CND/DE505: CND)	
* 63	4-980-646-71	PANEL, BACK (D450Z:CND)					
* 63	4-980-647-01	PANEL, BACK (DE405:US)					
* 63	4-980-647-11	PANEL, BACK (DE405:CND)					
* 63	4-980-647-51	PANEL, BACK (D350Z:US)					
* 63	4-980-647-61	PANEL, BACK (D350Z:CND)					
* 64	1-660-195-11	VIDEO BOARD					

# DISPLAY

## SECTION 5 ELECTRICAL PARTS LIST

### NOTE :

- Due to standardization, replacements in the parts list may be different from the parts specified in the diagrams or the components used on the set.
- -XX, -X mean standardized parts, so they may have some difference from the original one.
- RESISTORS  
All resistors are in ohms  
METAL : Metal-film resistor  
METAL OXIDE :Metal oxide-film resistor  
F : nonflammable
- Items marked " \* " are not stocked since they are seldom required for routine service. Some delay should be anticipated when ordering these items.

- SEMICONDUCTORS  
In each case, u :  $\mu$ , for example :  
uA..... :  $\mu$  A....., uPA..... :  $\mu$  PA.....  
uPB..... :  $\mu$  PB....., uPC..... :  $\mu$  PC.....  
uPD..... :  $\mu$  PD.....
- CAPACITORS  
uF :  $\mu$  F
- COILS  
uH :  $\mu$  H
- Abbreviation  
CND : Canadian

The components identified by mark  $\Delta$  or dotted line with mark  $\Delta$  are critical for safety.  
Replace only with part number specified.

Les composants identifiés par une marque  $\Delta$  sont critiques pour la sécurité.  
Ne les remplacer que par une pièce portant le numéro spécifié.

When indicating parts by reference number, please include the board.

Ref. No.	Part No.	Description	Remark	Ref. No.	Part No.	Description	Remark
*	A-4389-631-A	DISPLAY BOARD, COMPLETE *****				< INDICATOR TUBE >	
*	4-921-941-01	CUSHION (FL)		FL201	1-517-141-11	INDICATOR TUBE, FLUORESCENT	
*	4-943-107-11	HOLDER (FL TUBE)				< TERMINAL, EARTH >	
		< CAPACITOR >		* G900	1-537-738-21	TERMINAL, EARTH	
G201	1-104-905-11	CAPACITOR	0.22F 5.5V			< IC >	
G202	1-164-159-11	CERAMIC	0.1uF 50V	IC201	8-759-385-78	IC uPD78044AGF-165-3B9	
G203	1-124-465-00	ELECT	0.47uF 20% 50V	IC202	8-759-962-08	IC BA6208	
G204	1-164-159-11	CERAMIC	0.1uF 50V	IC203	8-749-923-11	IC GP1U58XB	
G205	1-162-294-31	CERAMIC	0.001uF 10% 50V			< TRANSISTOR >	
G206	1-164-159-11	CERAMIC	0.1uF 50V	Q201	8-729-900-63	TRANSISTOR DTA124ES	
G207	1-126-096-11	ELECT	10uF 20% 35V	Q202	8-729-900-36	TRANSISTOR DTC124ES	
G208	1-162-294-31	CERAMIC	0.001uF 10% 50V	Q231	8-729-900-36	TRANSISTOR DTC124ES	
		< CONNECTOR >				< RESISTOR >	
* CNS201	1-568-741-11	SOCKET, CONNECTOR 23P		R200	1-249-433-11	CARBON 22K 5% 1/4W	
* CNS202	1-770-397-11	HOUSING, CONNECTOR(PC BOARD)4P		R201	1-247-903-00	CARBON 1M 5% 1/4W	
* CNS203	1-565-481-11	CONNECTOR, BOARD TO BOARD 5P		R202	1-249-429-11	CARBON 10K 5% 1/4W	
		< DIODE >		R203	1-249-429-11	CARBON 10K 5% 1/4W	
D201	8-719-987-63	DIODE 1N4148M		R204	1-249-425-11	CARBON 4.7K 5% 1/4W	
D202	8-719-987-63	DIODE 1N4148M		R205	1-249-441-11	CARBON 100K 5% 1/4W	
D203	8-719-987-63	DIODE 1N4148M		R207	1-249-429-11	CARBON 10K 5% 1/4W	
D204	8-719-987-63	DIODE 1N4148M		R211	1-249-433-11	CARBON 22K 5% 1/4W	
D211	8-719-987-63	DIODE 1N4148M		R212	1-249-433-11	CARBON 22K 5% 1/4W	
D212	8-719-987-63	DIODE 1N4148M		R213	1-249-433-11	CARBON 22K 5% 1/4W	
D213	8-719-987-63	DIODE 1N4148M		R214	1-249-433-11	CARBON 22K 5% 1/4W	
D214	8-719-987-63	DIODE 1N4148M		R215	1-249-433-11	CARBON 22K 5% 1/4W	
D215	8-719-987-63	DIODE 1N4148M		R216	1-249-433-11	CARBON 22K 5% 1/4W	
D231	8-719-987-63	DIODE 1N4148M		R221	1-247-807-31	CARBON 100 5% 1/4W	
D233	8-719-313-72	LED SEL3810A-CD (VIDEO)		R222	1-247-807-31	CARBON 100 5% 1/4W	
D234	8-719-313-72	LED SEL3810A-CD (TV/DBS)		R223	1-247-807-31	CARBON 100 5% 1/4W	
D235	8-719-313-72	LED SEL3810A-CD (PRO LOGIC)		R224	1-247-807-31	CARBON 100 5% 1/4W	
D236	8-719-313-72	LED SEL3810A-CD (THEATER)		R225	1-247-807-31	CARBON 100 5% 1/4W	
D237	8-719-313-72	LED SEL3810A-CD (HALL)		R226	1-249-441-11	CARBON 100K 5% 1/4W	

Ref. No.	Part No.	Description	Remark
R227	1-249-441-11	CARBON 100K	5% 1/4W
R228	1-249-411-11	CARBON 330	5% 1/4W
R229	1-249-407-11	CARBON 150	5% 1/4W
R230	1-249-407-11	CARBON 150	5% 1/4W
R231	1-249-427-11	CARBON 6.8K	5% 1/4W
R242	1-249-427-11	CARBON 6.8K	5% 1/4W
R741	1-247-753-11	CARBON 1.2K	5% 1/2W
R742	1-247-753-11	CARBON 1.2K	5% 1/2W
R791	1-247-753-11	CARBON 1.2K	5% 1/2W
R792	1-247-753-11	CARBON 1.2K	5% 1/2W
< SWITCH >			
S200	1-554-303-21	SWITCH, TACTILE (POWER)	
S201	1-554-303-21	SWITCH, TACTILE ( 1 )	
S202	1-554-303-21	SWITCH, TACTILE ( 2 )	
S203	1-554-303-21	SWITCH, TACTILE ( 3 )	
S204	1-554-303-21	SWITCH, TACTILE (DIRECT)	
S205	1-554-303-21	SWITCH, TACTILE (DELAY TIME/EFFECT)	
S206	1-554-303-21	SWITCH, TACTILE ( 4 )	
S207	1-554-303-21	SWITCH, TACTILE ( 5 )	
S208	1-554-303-21	SWITCH, TACTILE ( 6 )	
S209	1-554-303-21	SWITCH, TACTILE (REAR LEVEL, -)	
S210	1-554-303-21	SWITCH, TACTILE (REAR LEVEL, +)	
S211	1-554-303-21	SWITCH, TACTILE ( 7 )	
S212	1-554-303-21	SWITCH, TACTILE ( 8 )	
S213	1-554-303-21	SWITCH, TACTILE ( 9 )	
S214	1-554-303-21	SWITCH, TACTILE ( 0 )	
S215	1-554-303-21	SWITCH, TACTILE (PHONO)	
S216	1-554-303-21	SWITCH, TACTILE (SURROUND, ON/OFF)	
S217	1-554-303-21	SWITCH, TACTILE (SURROUND, MODE)	
S218	1-554-303-21	SWITCH, TACTILE (CENTER MODE)	
S219	1-554-303-21	SWITCH, TACTILE (CENTER LEVEL, -)	
S220	1-554-303-21	SWITCH, TACTILE (CENTER LEVEL, +)	
S221	1-554-303-21	SWITCH, TACTILE (VIDEO)	
S222	1-554-303-21	SWITCH, TACTILE (TV/DBS)	
S223	1-554-303-21	SWITCH, TACTILE (TAPE/MD)	
S224	1-554-303-21	SWITCH, TACTILE (CD)	
S225	1-554-303-21	SWITCH, TACTILE (TUNER)	
< VIBRATOR >			
X201	1-577-101-11	VIBRATOR, CERAMIC (4.19MHz)	

\*\*\*\*\*

Ref. No.	Part No.	Description	Remark
*	A-4364-908-A	MAIN BOARD, COMPLETE (DE405:US)	
*	A-4389-532-A	MAIN BOARD, COMPLETE (D350Z:CND/ DE405:CND)	
*	A-4389-640-A	MAIN BOARD, COMPLETE (D450Z:US/ DE505:US)	
*	A-4389-641-A	MAIN BOARD, COMPLETE (D450Z:CND/ DE505:CND)	
*	A-4390-701-A	MAIN BOARD, COMPLETE (D350Z:US) *****	
	3-905-609-01	SCREW (TRANSISTOR)	
	4-812-134-00	RIVET (DIA. 3.5), NYLON	
	7-682-548-04	SCREW +BVTT 3X8 (S)	
< CAPACITOR >			
C302	1-126-934-11	ELECT	220uF 20% 16V
C303	1-130-489-00	MYLAR	0.033uF 5% 50V
C304	1-137-365-11	FILM	0.0015uF 5% 50V
C305	1-130-489-00	MYLAR	0.033uF 5% 50V
C306	1-124-903-11	ELECT	1uF 20% 50V
C307	1-126-964-11	ELECT	10uF 20% 50V
C308	1-126-964-11	ELECT	10uF 20% 50V
C309	1-162-291-31	CERAMIC	560PF 10% 50V
C310	1-126-962-11	ELECT	3.3uF 20% 50V
C311	1-124-925-11	ELECT	2.2uF 20% 100V
C312	1-126-934-11	ELECT	220uF 20% 16V
C313	1-126-934-11	ELECT	220uF 20% 16V
C314	1-136-165-00	FILM	0.1uF 5% 50V
C316	1-126-964-11	ELECT	10uF 20% 50V
C317	1-126-933-11	ELECT	100uF 20% 16V
C318	1-137-363-91	FILM	680PF 5% 50V
C322	1-126-962-11	ELECT	3.3uF 20% 50V
C323	1-136-173-00	FILM	0.47uF 5% 50V
C324	1-126-967-11	ELECT	47uF 20% 16V
C325	1-136-165-00	FILM	0.1uF 5% 50V
C326	1-136-165-00	FILM	0.1uF 5% 50V
C327	1-124-902-00	ELECT	0.47uF 20% 50V
C328	1-126-963-11	ELECT	4.7uF 20% 50V
C329	1-124-902-00	ELECT	0.47uF 20% 50V
C330	1-126-963-11	ELECT	4.7uF 20% 50V
C331	1-124-250-11	ELECT	0.15uF 20% 50V
C332	1-126-962-11	ELECT	3.3uF 20% 50V
C333	1-124-250-11	ELECT	0.15uF 20% 50V
C334	1-137-372-11	FILM	0.022uF 5% 50V
C335	1-136-161-00	FILM	0.047uF 5% 50V
C336	1-126-934-11	ELECT	220uF 20% 16V
C337	1-126-964-11	ELECT	10uF 20% 50V
C338	1-126-964-11	ELECT	10uF 20% 50V
C339	1-126-964-11	ELECT	10uF 20% 50V
C340	1-126-964-11	ELECT	10uF 20% 50V
C341	1-126-934-11	ELECT	220uF 20% 16V
C342	1-126-962-11	ELECT	3.3uF 20% 50V
C343	1-126-962-11	ELECT	3.3uF 20% 50V



**MAIN**

Ref. No.	Part No.	Description	Remark			Ref. No.	Part No.	Description	Remark		
C344	1-136-165-09	FILM	0.1uF	5%	50V	C660	1-126-967-11	ELECT	47uF	20%	16V
C345	1-136-165-00	FILM	0.1uF	5%	50V	C661	1-137-372-11	FILM	0.022uF	5%	50V
C346	1-124-902-00	ELECT	0.47uF	20%	50V	C670	1-162-286-31	CERAMIC	220PF	10%	50V
C347	1-126-963-11	ELECT	4.7uF	20%	50V	C702	1-162-282-31	CERAMIC	100PF	10%	50V
C348	1-124-902-00	ELECT	0.47uF	20%	50V	C703	1-126-933-11	ELECT	100uF	20%	10V
C349	1-126-963-11	ELECT	4.7uF	20%	50V	C705	1-102-233-00	CERAMIC	33PF	10%	500V
C350	1-124-250-11	ELECT	0.15uF	20%	50V	C710	1-126-967-11	ELECT	47uF	20%	16V
C351	1-126-962-11	ELECT	3.3uF	20%	50V	C711	1-137-372-11	FILM	0.022uF	5%	50V
C352	1-124-250-11	ELECT	0.15uF	20%	50V	C720	1-162-286-31	CERAMIC	220PF	10%	50V
C353	1-164-159-11	CERAMIC	0.1uF		50V	C721	1-126-923-11	ELECT	220uF	20%	10V
C354	1-164-159-11	CERAMIC	0.1uF		50V	C722	1-126-965-11	ELECT	22uF	20%	50V
C355	1-164-159-11	CERAMIC	0.1uF		50V	C740	1-128-563-11	ELECT	100uF	20%	100V
C356	1-164-159-11	CERAMIC	0.1uF		50V	C741	1-128-563-11	ELECT	100uF	20%	100V
C357	1-164-159-11	CERAMIC	0.1uF		50V	C742	1-126-923-11	ELECT	220uF	20%	10V
C359	1-126-963-11	ELECT	4.7uF	20%	50V	C752	1-162-282-31	CERAMIC	100PF	10%	50V
C360	1-126-963-11	ELECT	4.7uF	20%	50V	C753	1-126-933-11	ELECT	100uF	20%	10V
C363	1-164-159-11	CERAMIC	0.1uF		50V	C755	1-102-233-00	CERAMIC	33PF	10%	500V
C365	1-126-966-11	ELECT	33uF	20%	16V	C760	1-126-967-11	ELECT	47uF	20%	16V
C366	1-164-159-11	CERAMIC	0.1uF		50V	C761	1-137-372-11	FILM	0.022uF	5%	50V
C401	1-162-282-31	CERAMIC	100PF	10%	50V	C770	1-162-286-31	CERAMIC	220PF	10%	50V
C402	1-126-962-11	ELECT	3.3uF	20%	50V	C801	1-104-664-11	ELECT	47uF	20%	25V
C403	1-126-966-11	ELECT	33uF	20%	16V	C802	1-104-664-11	ELECT	47uF	20%	25V
C404	1-162-282-31	CERAMIC	100PF	10%	50V	C803	1-125-556-11	ELECT(BLOCK)	8200uF	20%	56V
C405	1-137-459-11	FILM	0.0056uF	5%	100V						(D350Z:US)
C406	1-164-159-11	CERAMIC	0.1uF		50V	C803	1-128-591-11	ELECT	6800uF	20%	56V
C407	1-137-365-11	FILM	0.0015uF	5%	50V						(D350Z:CND/DE405:CND)
C408	1-162-294-31	CERAMIC	0.001uF	10%	50V	C803	1-109-932-12	ELECT	10000uF	20%	71V
C409	1-126-962-11	ELECT	3.3uF	20%	50V						(D450Z:US/DE505:US)
C410	1-164-159-11	CERAMIC	0.1uF		50V	C803	1-107-766-11	ELECT	8200uF	20%	71V
C412	1-162-291-31	CERAMIC	560PF	10%	50V						(D450Z:CND/DE405:US/DE505:CND)
C413	1-164-159-11	CERAMIC	0.1uF		50V	C804	1-125-556-11	ELECT(BLOCK)	8200uF	20%	56V
C415	1-164-159-11	CERAMIC	0.1uF		50V						(D350Z:US)
C416	1-164-159-11	CERAMIC	0.1uF		50V	C804	1-128-591-11	ELECT	6800uF	20%	56V
C434	1-162-286-31	CERAMIC	220PF	10%	50V						(D350Z:CND/DE405:CND)
C435	1-162-286-31	CERAMIC	220PF	10%	50V	C804	1-109-932-12	ELECT	10000uF	20%	71V
C451	1-162-282-31	CERAMIC	100PF	10%	50V						(D450Z:US/DE505:US)
C452	1-126-962-11	ELECT	3.3uF	20%	50V	C804	1-107-766-11	ELECT	8200uF	20%	71V
C453	1-126-966-11	ELECT	33uF	20%	16V						(D450Z:CND/DE405:US/DE505:CND)
C454	1-162-282-31	CERAMIC	100PF	10%	50V	C805	1-137-420-11	FILM	0.047uF	10%	100V
C455	1-137-459-11	FILM	0.0056uF	5%	100V	C806	1-137-420-11	FILM	0.047uF	10%	100V
C457	1-137-365-11	FILM	0.0015uF	5%	50V	C807	1-124-903-11	ELECT	1uF	20%	50V
C459	1-126-962-11	ELECT	3.3uF	20%	50V	C808	1-104-664-11	ELECT	47uF	20%	25V
C460	1-164-159-11	CERAMIC	0.1uF		50V	C809	1-104-664-11	ELECT	47uF	20%	25V
C602	1-162-282-31	CERAMIC	100PF	10%	50V	C810	1-124-903-11	ELECT	1uF	20%	50V
C603	1-126-933-11	ELECT	100uF	20%	10V	C811	1-126-951-11	ELECT	470uF	20%	35V
C605	1-102-233-00	CERAMIC	33PF	10%	500V	C812	1-126-951-11	ELECT	470uF	20%	35V
C610	1-126-967-11	ELECT	47uF	20%	16V	C813	1-164-088-11	CERAMIC	0.001uF		50V
C611	1-137-372-11	FILM	0.022uF	5%	50V	C814	1-164-088-11	CERAMIC	0.001uF		50V
C620	1-162-286-31	CERAMIC	220PF	10%	50V	C815	1-104-664-11	ELECT	47uF	20%	25V
C652	1-162-282-31	CERAMIC	100PF	10%	50V	C816	1-104-664-11	ELECT	47uF	20%	25V
C653	1-126-933-11	ELECT	100uF	20%	10V	C820	1-161-494-00	CERAMIC	0.022uF		25V
C655	1-102-233-00	CERAMIC	33PF	10%	500V	C821	1-161-494-00	CERAMIC	0.022uF		25V
						C822	1-104-664-11	ELECT	47uF	20%	25V

Ref. No.	Part No.	Description	Remark
C823	1-104-664-11	ELECT	47uF 20% 25V
C950	1-126-952-11	ELECT	1000uF 20% 16V
C951	1-164-097-11	CERAMIC	0.022uF 50V
C952	1-124-903-11	ELECT	1uF 20% 50V
C953	1-124-464-11	ELECT	0.22uF 20% 50V
C954	1-126-964-11	ELECT	10uF 20% 50V
C955	1-164-159-11	CERAMIC	0.1uF 50V
< CONNECTOR >			
CNP702	1-750-388-11	PIN, CONNECTOR 5P	
CNP706	1-764-477-11	PIN, CONNECTOR (PC BOARD) 8P	
* CNS204	1-568-742-11	SOCKET, CONNECTOR 23P	
* CNS251	1-568-439-11	SOCKET, CONNECTOR 7P	
* CNS301	1-568-442-11	SOCKET, CONNECTOR 9P	
* CNS701	1-568-439-11	SOCKET, CONNECTOR 7P	
CNS802	1-766-200-11	SOCKET, CONNECTOR PIN 5P	
< DIODE >			
D610	8-719-987-63	DIODE	1N4148M
D710	8-719-987-63	DIODE	1N4148M
D721	8-719-815-85	DIODE	1S1585
D722	8-719-815-85	DIODE	1S1585
D723	8-719-987-63	DIODE	1N4148M
D724	8-719-987-63	DIODE	1N4148M
D725	8-719-987-63	DIODE	1N4148M
D801	8-719-002-33	DIODE	UZL-24L
D802	8-719-302-38	DIODE	RBV-602-01
D804	8-719-010-38	DIODE	UZ-5.1BSB
D805	8-719-002-33	DIODE	UZL-24L
D810	8-719-024-99	DIODE	11ES2-NTA2B
D811	8-719-024-99	DIODE	11ES2-NTA2B
D812	8-719-024-99	DIODE	11ES2-NTA2B
D813	8-719-024-99	DIODE	11ES2-NTA2B
D814	8-719-987-63	DIODE	1N4148M
D815	8-719-987-63	DIODE	1N4148M
D817	8-719-001-30	DIODE	UZL-9H3
D818	8-719-987-63	DIODE	1N4148M
D820	8-719-024-99	DIODE	11ES2-NTA2B
D821	8-719-024-99	DIODE	11ES2-NTA2B
D822	8-719-024-99	DIODE	11ES2-NTA2B
D823	8-719-024-99	DIODE	11ES2-NTA2B
< TERMINAL, EARTH >			
* G200	1-537-738-21	TERMINAL, EARTH	
* G201	1-537-738-21	TERMINAL, EARTH	
* G202	1-537-738-21	TERMINAL, EARTH	
< IC >			
IC300	8-759-341-23	IC	LV1011
IC301	8-759-248-74	IC	LA2785
IC302	8-759-636-74	IC	M5218AP-22
IC401	8-759-805-14	IC	LC7822

Ref. No.	Part No.	Description	Remark
IC402	8-759-636-74	IC	M5218AP-22
IC701	8-759-326-52	IC	uPC2581V
IC702	8-759-326-52	IC	uPC2581V
IC801	8-759-287-58	IC	TA78M12P
IC802	8-759-604-45	IC	M5F79M12
IC950	8-759-333-83	IC	NJM2103D
< JACK >			
J401	1-695-188-31	JACK, PIN 4P (PHONO,CD)	
J402	1-770-015-11	JACK, PIN 6P (TAPE/MD,TV/DBS)	
J403	1-573-028-31	JACK, PIN 4P (VIDEO)	
< COIL >			
L301	1-410-509-11	INDUCTOR	10uH
L302	1-410-509-11	INDUCTOR	10uH
L401	1-410-509-11	INDUCTOR	10uH
L601	1-420-872-00	COIL, AIR-CORE	
L651	1-420-872-00	COIL, AIR-CORE	
L701	1-420-872-00	COIL, AIR-CORE	
L751	1-420-872-00	COIL, AIR-CORE	
< TRANSISTOR >			
Q303	8-729-922-37	TRANSISTOR	2SD2144S
Q304	8-729-922-37	TRANSISTOR	2SD2144S
Q307	8-729-922-37	TRANSISTOR	2SD2144S
Q308	8-729-922-37	TRANSISTOR	2SD2144S
Q601	8-729-119-76	TRANSISTOR	2SA1175-HFE
Q602	8-729-141-30	TRANSISTOR	2SC3623A-LK
Q603	8-749-010-25	IC	MN2488-OPY-M
Q604	8-749-010-26	IC	MP1620-OPY-M
Q610	8-729-119-78	TRANSISTOR	2SC403SP-51
Q620	8-729-140-82	TRANSISTOR	2SA988-PAFAEA
Q651	8-729-119-76	TRANSISTOR	2SA1175-HFE
Q652	8-729-141-30	TRANSISTOR	2SC3623A-LK
Q653	8-749-010-25	IC	MN2488-OPY-M
Q654	8-749-010-26	IC	MP1620-OPY-M
Q670	8-729-140-82	TRANSISTOR	2SA988-PAFAEA
Q701	8-729-119-76	TRANSISTOR	2SA1175-HFE
Q702	8-729-141-30	TRANSISTOR	2SC3623A-LK
Q703	8-749-010-25	IC	MN2488-OPY-M
Q704	8-749-010-26	IC	MP1620-OPY-M
Q710	8-729-119-78	TRANSISTOR	2SC403SP-51
Q720	8-729-140-82	TRANSISTOR	2SA988-PAFAEA
Q721	8-729-140-82	TRANSISTOR	2SA988-PAFAEA
Q722	8-729-140-84	TRANSISTOR	2SC1841-PAFAEA
Q723	8-729-119-78	TRANSISTOR	2SC403SP-51
Q740	8-729-140-84	TRANSISTOR	2SC1841-PAFAEA
Q741	8-729-140-84	TRANSISTOR	2SC1841-PAFAEA
Q751	8-729-119-76	TRANSISTOR	2SA1175-HFE
Q752	8-729-141-30	TRANSISTOR	2SC3623A-LK
Q753	8-749-010-25	IC	MN2488-OPY-M
Q754	8-749-010-26	IC	MP1620-OPY-M

# MAIN

Ref. No.	Part No.	Description	Remark	Ref. No.	Part No.	Description	Remark
Q770	8-729-140-82	TRANSISTOR	2SA988-PAFAEA	R412	1-247-897-11	CARBON	560K 5% 1/4W
Q801	8-729-140-97	TRANSISTOR	2SB734-34	R413	1-249-437-11	CARBON	47K 5% 1/4W
Q802	8-729-119-78	TRANSISTOR	2SC403SP-51	R414	1-249-425-11	CARBON	4.7K 5% 1/4W
Q803	8-729-030-18	TRANSISTOR	2SD2525	R415	1-249-417-11	CARBON	1K 5% 1/4W
Q808	8-729-180-92	TRANSISTOR	2SD809-K	R416	1-249-417-11	CARBON	1K 5% 1/4W
Q809	8-729-119-78	TRANSISTOR	2SC403SP-51	R417	1-247-897-11	CARBON	560K 5% 1/4W
Q951	8-729-030-18	TRANSISTOR	2SD2525	R420	1-249-441-11	CARBON	100K 5% 1/4W
< RESISTOR >				R435	1-249-418-11	CARBON	1.2K 5% 1/4W
△ R298	1-249-381-11	CARBON	1 5% 1/4W F (D350Z:US/DE405:US)	R442	1-249-418-11	CARBON	1.2K 5% 1/4W
△ R298	1-249-385-11	CARBON	2.2 5% 1/6W F (CND)	R443	1-249-418-11	CARBON	1.2K 5% 1/4W
△ R298	1-249-389-11	CARBON	4.7 5% 1/4W F (D450Z:US/DE505:US)	R447	1-249-416-11	CARBON	820 5% 1/4W
△ R299	1-249-381-11	CARBON	1 5% 1/4W F (D350Z:US/DE405:US)	R448	1-249-429-11	CARBON	10K 5% 1/4W
△ R299	1-249-385-11	CARBON	2.2 5% 1/6W F (CND)	R449	1-249-433-11	CARBON	22K 5% 1/4W
△ R299	1-249-389-11	CARBON	4.7 5% 1/4W F (D450Z:US/DE505:US)	R451	1-249-411-11	CARBON	330 5% 1/4W
R300	1-247-903-00	CARBON	1M 5% 1/4W	R452	1-249-421-11	CARBON	2.2K 5% 1/4W
R301	1-249-421-11	CARBON	2.2K 5% 1/4W	R453	1-249-417-11	CARBON	1K 5% 1/4W
R302	1-249-421-11	CARBON	2.2K 5% 1/4W	R454	1-249-417-11	CARBON	1K 5% 1/4W
R303	1-249-439-11	CARBON	68K 5% 1/4W	R455	1-249-417-11	CARBON	1K 5% 1/4W
R304	1-249-441-11	CARBON	100K 5% 1/4W	R456	1-249-417-11	CARBON	1K 5% 1/4W
R306	1-249-436-11	CARBON	39K 5% 1/4W	R457	1-249-417-11	CARBON	1K 5% 1/4W
R307	1-247-862-11	CARBON	20K 5% 1/4W	R458	1-249-429-11	CARBON	10K 5% 1/4W
R308	1-249-421-11	CARBON	2.2K 5% 1/4W	R459	1-249-437-11	CARBON	47K 5% 1/4W
R309	1-249-421-11	CARBON	2.2K 5% 1/4W	R460	1-247-897-11	CARBON	560K 5% 1/4W
R352	1-249-441-11	CARBON	100K 5% 1/4W	R461	1-249-416-11	CARBON	820 5% 1/4W
R353	1-249-425-11	CARBON	4.7K 5% 1/4W	R462	1-247-897-11	CARBON	560K 5% 1/4W
R354	1-249-425-11	CARBON	4.7K 5% 1/4W	R463	1-249-437-11	CARBON	47K 5% 1/4W
R355	1-249-425-11	CARBON	4.7K 5% 1/4W	R465	1-249-417-11	CARBON	1K 5% 1/4W
R356	1-249-425-11	CARBON	4.7K 5% 1/4W	R466	1-249-417-11	CARBON	1K 5% 1/4W
R357	1-249-441-11	CARBON	100K 5% 1/4W	R467	1-247-897-11	CARBON	560K 5% 1/4W
R358	1-249-441-11	CARBON	100K 5% 1/4W	R470	1-249-441-11	CARBON	100K 5% 1/4W
R359	1-249-425-11	CARBON	4.7K 5% 1/4W	R601	1-249-417-11	CARBON	1K 5% 1/4W
R360	1-249-425-11	CARBON	4.7K 5% 1/4W	R602	1-249-439-11	CARBON	68K 5% 1/4W
R361	1-249-429-11	CARBON	10K 5% 1/4W	R603	1-249-413-11	CARBON	470 5% 1/4W (D350Z/DE405:CND)
R362	1-249-429-11	CARBON	10K 5% 1/4W	R603	1-249-412-11	CARBON	390 5% 1/4W (D450Z/DE405:US/DE505)
R363	1-249-411-11	CARBON	330 5% 1/4W	R604	1-249-439-11	CARBON	68K 5% 1/4W
R401	1-249-411-11	CARBON	330 5% 1/4W	R610	1-249-421-11	CARBON	2.2K 5% 1/4W
R402	1-249-421-11	CARBON	2.2K 5% 1/4W	R611	1-249-437-11	CARBON	47K 5% 1/4W
R403	1-249-417-11	CARBON	1K 5% 1/4W	R613	1-249-414-11	CARBON	560 5% 1/4W
R404	1-249-417-11	CARBON	1K 5% 1/4W	△ R614	1-249-408-11	CARBON	180 5% 1/4W F
R405	1-249-417-11	CARBON	1K 5% 1/4W	△ R615	1-249-408-11	CARBON	180 5% 1/4W F
R406	1-249-417-11	CARBON	1K 5% 1/4W	△ R616	1-233-352-21	ENCAPSULATED COMPONENT	F
R407	1-249-417-11	CARBON	1K 5% 1/4W	△ R617	1-249-393-11	CARBON	10 5% 1/4W F
R408	1-249-429-11	CARBON	10K 5% 1/4W	R618	1-249-389-11	CARBON	4.7 5% 1/4W
R409	1-249-437-11	CARBON	47K 5% 1/4W	R620	1-249-419-11	CARBON	1.5K 5% 1/4W
R410	1-247-897-11	CARBON	560K 5% 1/4W	R621	1-249-427-11	CARBON	6.8K 5% 1/4W
R411	1-249-416-11	CARBON	820 5% 1/4W	R623	1-249-437-11	CARBON	47K 5% 1/4W
				R630	1-249-426-11	CARBON	5.6K 5% 1/4W
				R631	1-247-887-00	CARBON	220K 5% 1/4W (D450Z/DE505)

The components identified by mark △ or dotted line with mark △ are critical for safety.  
Replace only with part number specified.

Les composants identifiés par une marque △ sont critiques pour la sécurité.  
Ne les remplacer que par une pièce portant le numéro spécifié.

Ref. No.	Part No.	Description	Remark
R632	1-249-426-11	CARBON	5.6K 5% 1/4W
R651	1-249-417-11	CARBON	1K 5% 1/4W
R652	1-249-439-11	CARBON	68K 5% 1/4W
R653	1-249-413-11	CARBON	470 5% 1/4W (D350Z/DE405:CND)
R653	1-249-412-11	CARBON	390 5% 1/4W (D450Z/DE405:US/DE505)
R654	1-249-439-11	CARBON	68K 5% 1/4W
R660	1-249-421-11	CARBON	2.2K 5% 1/4W
R661	1-249-437-11	CARBON	47K 5% 1/4W
R663	1-249-414-11	CARBON	560 5% 1/4W
△ R664	1-249-408-11	CARBON	180 5% 1/4W F
△ R665	1-249-408-11	CARBON	180 5% 1/4W F
△ R666	1-233-352-21	ENCAPSULATED COMPONENT	F
△ R667	1-249-393-11	CARBON	10 5% 1/4W F
R668	1-249-389-11	CARBON	4.7 5% 1/4W
R670	1-249-419-11	CARBON	1.5K 5% 1/4W
R671	1-249-427-11	CARBON	6.8K 5% 1/4W
R673	1-249-437-11	CARBON	47K 5% 1/4W
R701	1-249-417-11	CARBON	1K 5% 1/4W
R702	1-249-439-11	CARBON	68K 5% 1/4W
R703	1-249-413-11	CARBON	470 5% 1/4W (D350Z/DE405:CND)
R703	1-249-412-11	CARBON	390 5% 1/4W (D450Z/DE405:US/DE505)
R704	1-249-439-11	CARBON	68K 5% 1/4W
R710	1-249-421-11	CARBON	2.2K 5% 1/4W
R711	1-249-437-11	CARBON	47K 5% 1/4W
R713	1-249-414-11	CARBON	560 5% 1/4W
△ R714	1-249-408-11	CARBON	180 5% 1/4W F
△ R715	1-249-408-11	CARBON	180 5% 1/4W F
△ R716	1-233-352-21	ENCAPSULATED COMPONENT	F
△ R717	1-249-393-11	CARBON	10 5% 1/4W F
R718	1-249-389-11	CARBON	4.7 5% 1/4W
R720	1-249-419-11	CARBON	1.5K 5% 1/4W
R721	1-249-427-11	CARBON	6.8K 5% 1/4W
R722	1-249-431-11	CARBON	15K 5% 1/4W
R723	1-249-437-11	CARBON	47K 5% 1/4W
R724	1-249-429-11	CARBON	10K 5% 1/4W
R725	1-249-429-11	CARBON	10K 5% 1/4W
R726	1-249-417-11	CARBON	1K 5% 1/4W
R727	1-249-427-11	CARBON	6.8K 5% 1/4W
R730	1-249-429-11	CARBON	10K 5% 1/4W
R731	1-247-887-00	CARBON	220K 5% 1/4W (D450Z/DE505)
R734	1-249-429-11	CARBON	10K 5% 1/4W (D450Z/DE505)
△ R740	1-249-393-11	CARBON	10 5% 1/4W F
△ R741	1-249-393-11	CARBON	10 5% 1/4W F
R742	1-249-417-11	CARBON	1K 5% 1/4W
R743	1-249-417-11	CARBON	1K 5% 1/4W
R744	1-249-425-11	CARBON	4.7K 5% 1/4W
R745	1-249-435-11	CARBON	33K 5% 1/4W

Ref. No.	Part No.	Description	Remark
R751	1-249-417-11	CARBON	1K 5% 1/4W
R752	1-249-439-11	CARBON	68K 5% 1/4W
R753	1-249-413-11	CARBON	470 5% 1/4W (D350Z/DE405:CND)
R753	1-249-412-11	CARBON	390 5% 1/4W (D450Z/DE405:US/DE505)
R754	1-249-439-11	CARBON	68K 5% 1/4W
R760	1-249-421-11	CARBON	2.2K 5% 1/4W
R761	1-249-437-11	CARBON	47K 5% 1/4W
R763	1-249-414-11	CARBON	560 5% 1/4W
△ R764	1-249-408-11	CARBON	180 5% 1/4W F
△ R765	1-249-408-11	CARBON	180 5% 1/4W F
△ R766	1-233-352-21	ENCAPSULATED COMPONENT	F
△ R767	1-249-393-11	CARBON	10 5% 1/4W F
R768	1-249-389-11	CARBON	4.7 5% 1/4W
R770	1-249-419-11	CARBON	1.5K 5% 1/4W
R771	1-249-427-11	CARBON	6.8K 5% 1/4W
R773	1-249-437-11	CARBON	47K 5% 1/4W
R781	1-247-887-00	CARBON	220K 5% 1/4W (D450Z/DE505)
△ R803	1-247-739-11	CARBON	100 5% 1/2W F
R804	1-249-425-11	CARBON	4.7K 5% 1/4W
△ R806	1-247-739-11	CARBON	100 5% 1/2W F
R807	1-249-425-11	CARBON	4.7K 5% 1/4W
R821	1-249-437-11	CARBON	47K 5% 1/4W
R822	1-249-425-11	CARBON	4.7K 5% 1/4W
R823	1-249-437-11	CARBON	47K 5% 1/4W
R824	1-249-425-11	CARBON	4.7K 5% 1/4W
R825	1-249-407-11	CARBON	150 5% 1/4W
R950	1-249-421-11	CARBON	2.2K 5% 1/4W
R951	1-249-429-11	CARBON	10K 5% 1/4W
R952	1-249-423-11	CARBON	3.3K 5% 1/4W
R953	1-249-433-11	CARBON	22K 5% 1/4W
R954	1-249-439-11	CARBON	68K 5% 1/4W
R955	1-249-429-11	CARBON	10K 5% 1/4W
R956	1-249-423-11	CARBON	3.3K 5% 1/4W
R957	1-249-417-11	CARBON	1K 5% 1/4W
R958	1-249-401-11	CARBON	47 5% 1/4W
R960	1-249-429-11	CARBON	10K 5% 1/4W
		< RELAY >	
RY601	1-515-920-11	RELAY (24V)	
RY701	1-515-920-11	RELAY (24V)	
RY801	1-515-894-11	RELAY (US)	
RY851	1-515-918-11	RELAY (CND)	
RY852	1-515-918-11	RELAY (CND)	
		< TERMINAL >	
TM1	1-537-240-51	TERMINAL BOARD (CHECKER PIN) (ANTENNA)	
TM601	1-537-510-11	TERMINAL BOARD (SPEAKER) (6P) (SURROUND SPEAKER)	
TM701	1-537-376-11	TERMINAL BOARD (SP) (FRONT SPEAKER)	

The components identified by mark △ or dotted line with mark △ are critical for safety.  
Replace only with part number specified.

Les composants identifiés par une marque △ sont critiques pour la sécurité.  
Ne les remplacer que par une pièce portant le numéro spécifié.

**MAIN**   **PRIMARY**   **SECONDARY**   **SP SW (A)**

**SP SW (B)**   **SP SW**   **STANDBY**   **TONE**

Ref. No.	Part No.	Description	Remark
		< TUNER >	
TU001	1-233-593-11	ENCAPSULATED COMPONENT	
		< VIBRATOR >	
X301	1-579-952-21	VIBRATOR, CERAMIC (8MHz)	
*****			
*	1-660-189-11	PRIMARY BOARD	
*****			
55	1-533-233-11	HOLDER, FUSE	
△ F901	1-576-109-11	FUSE (5A/125V)	
*****			
*	1-660-190-11	SECONDARY BOARD	
*****			
		< CONNECTOR >	
CNP801	1-764-480-11	PIN, CONNECTOR (PC BOARD) 11P	
		< RESISTOR >	
△ R810	1-249-381-11	CARBON            1            5%    1/4W F	
△ R811	1-249-381-11	CARBON            1            5%    1/4W F	
*****			
*	1-660-192-11	SP SW (A) BOARD	
*****			
*****			
*	1-660-193-11	SP SW (B) BOARD	
*****			
		< CONNECTOR >	
CNS702	1-770-378-11	CONNECTOR, BOARD TO BOARD 5P	
*****			
*	1-660-191-11	SP SW BOARD	
*****			
		< CONNECTOR >	
CNP703	1-764-474-11	PIN, CONNECTOR (PC BOARD) 5P	
CNP704	1-764-473-11	PIN, CONNECTOR (PC BOARD) 3P	
		< JACK >	
J741	1-750-733-11	JACK (LARGE TYPE) (PHONES)	
		< SWITCH >	
S701	1-762-319-11	SWITCH, PUSH (2 KEY) (SPEAKER A/B)	
*****			
*	A-4389-632-A	STANDBY BOARD, COMPLETE	
*****			

Ref. No.	Part No.	Description	Remark
		< JACK >	
△ CNJ902	1-540-057-11	OUTLET, AC (POLAR) (AC OUTLET)	
		< CONNECTOR >	
CNP802	1-766-203-11	PLUG,CONNECTOR PIN (PC BOARD)5P	
CNP901	1-564-321-00	PIN, CONNECTOR 2P	
		< DIODE >	
D816	8-719-987-63	DIODE    1N4148M	
		< RESISTOR >	
△ R901	1-202-725-00	SOLID            3.3M            10%    1/2W F	
		< RELAY >	
△ RY901	1-515-720-11	RELAY	
		< TRANSFORMER >	
△ T902	1-450-361-11	TRANSFORMER, POWER	
*****			
*	A-4389-634-A	TONE BOARD, COMPLETE	
*****			
		< CAPACITOR >	
C421	1-137-440-11	FILM            0.018uF       5%    50V	
C422	1-124-463-00	ELECT           0.1uF           20%   50V	
C423	1-137-368-11	FILM            0.0047uF      5%    50V	
C424	1-137-372-11	FILM            0.022uF       5%    50V	
C471	1-137-440-11	FILM            0.018uF       5%    50V	
C472	1-124-463-00	ELECT           0.1uF           20%   50V	
C473	1-137-368-11	FILM            0.0047uF      5%    50V	
C474	1-137-372-11	FILM            0.022uF       5%    50V	
		< CONNECTOR >	
* CNP203	1-569-799-11	PLUG, CONNECTOR 5P	
CNS401	1-770-399-11	HOUSING, CONNECTOR (PC BOARD)6P	
		< DIODE >	
D238	8-719-313-72	LED            SEL3810A-CD (BASS BOOST)	
		< RESISTOR >	
R236	1-249-411-11	CARBON           330            5%    1/4W	
R237	1-249-413-11	CARBON           470            5%    1/4W	
R238	1-249-415-11	CARBON           680            5%    1/4W	
R239	1-249-417-11	CARBON           1K             5%    1/4W	
R240	1-249-419-11	CARBON           1.5K           5%    1/4W	
R241	1-249-421-11	CARBON           2.2K           5%    1/4W	
R243	1-249-429-11	CARBON           10K            5%    1/4W	
R244	1-249-425-11	CARBON           4.7K           5%    1/4W	

The components identified by mark △ or dotted line with mark △ are critical for safety. Replace only with part number specified.	Les composants identifiés par une marque △ sont critiques pour la sécurité. Ne les remplacer que par une pièce portant le numéro spécifié.
--	--

Ref. No.	Part No.	Description	Remark
R421	1-249-430-11	CARBON 12K	5% 1/4W
R422	1-249-422-11	CARBON 2.7K	5% 1/4W
R423	1-247-903-00	CARBON 1M	5% 1/4W
R424	1-247-903-00	CARBON 1M	5% 1/4W
R425	1-249-415-11	CARBON 680	5% 1/4W
R471	1-249-430-11	CARBON 12K	5% 1/4W
R472	1-249-422-11	CARBON 2.7K	5% 1/4W
R473	1-247-903-00	CARBON 1M	5% 1/4W
R474	1-247-903-00	CARBON 1M	5% 1/4W
R475	1-249-415-11	CARBON 680	5% 1/4W
< VARIABLE RESISTOR >			
RV421	1-223-362-11	RES, VAR, CARBON 100K/100K (BASS)	
RV422	1-223-363-11	RES, VAR, CARBON 125K/125K (TREBLE)	
RV423	1-238-965-21	RES, VAR, CARBON 100K/100K (BALANCE)	
< SWITCH >			
S230	1-554-303-21	SWITCH, TACTILE (PRESET TUNING, -)	
S231	1-554-303-21	SWITCH, TACTILE (TUNING, -)	
S232	1-554-303-21	SWITCH, TACTILE (PRESET TUNING, +)	
S233	1-554-303-21	SWITCH, TACTILE (SHIFT)	
S234	1-554-303-21	SWITCH, TACTILE (FM/AM)	
S235	1-554-303-21	SWITCH, TACTILE (FM MODE)	
S236	1-554-303-21	SWITCH, TACTILE (BASS BOOST)	
S237	1-554-303-21	SWITCH, TACTILE (TUNING, +)	
S238	1-554-303-21	SWITCH, TACTILE (MEMORY)	
*****			
*	1-660-195-11	VIDEO BOARD	*****
< CAPACITOR >			
C250	1-124-903-11	ELECT 1uF	20% 50V
C251	1-124-903-11	ELECT 1uF	20% 50V
C252	1-164-159-11	CERAMIC 0.1uF	50V
C253	1-104-664-11	ELECT 47uF	20% 25V
C254	1-164-159-11	CERAMIC 0.1uF	50V
C255	1-104-664-11	ELECT 47uF	20% 25V
C256	1-162-215-31	CERAMIC 47PF	5% 50V
C257	1-162-215-31	CERAMIC 47PF	5% 50V
< CONNECTOR >			
* CNS250	1-568-439-11	SOCKET, CONNECTOR 7P	
< IC >			
IC251	8-759-333-84	IC NJM2279D	
IC252	8-759-700-65	IC NJM79L05A	
< JACK >			
J251	1-770-336-11	JACK, PIN 2P (MONITOR, VIDEO IN)	
J252	1-770-336-11	JACK, PIN 2P (TV/DBS VIDEO OUT)	
J253	1-774-785-11	JACK, PIN 1P (MIX AUDIO OUT) (DE505)	

Ref. No.	Part No.	Description	Remark
< RESISTOR >			
R251	1-247-804-11	CARBON 75	5% 1/4W
R252	1-247-804-11	CARBON 75	5% 1/4W
R253	1-247-804-11	CARBON 75	5% 1/4W
R254	1-247-804-11	CARBON 75	5% 1/4W
R255	1-249-429-11	CARBON 10K	5% 1/4W
R256	1-249-429-11	CARBON 10K	5% 1/4W
*****			
*	A-4389-633-A	VOLUME BOARD, COMPLETE	*****
< CAPACITOR >			
C420	1-162-207-31	CERAMIC 22PF	5% 50V
C425	1-126-096-11	ELECT 10uF	20% 35V
C426	1-126-096-11	ELECT 10uF	20% 35V
C427	1-124-252-00	ELECT 0.33uF	20% 50V
C428	1-130-489-00	MYLAR 0.033uF	5% 50V
C429	1-102-973-00	CERAMIC 100PF	5% 50V
C430	1-126-301-11	ELECT 1uF	20% 50V
C431	1-126-301-11	ELECT 1uF	20% 50V
C432	1-126-096-11	ELECT 10uF	20% 35V
C433	1-126-096-11	ELECT 10uF	20% 35V
C470	1-162-207-31	CERAMIC 22PF	5% 50V
C475	1-126-096-11	ELECT 10uF	20% 35V
C476	1-126-096-11	ELECT 10uF	20% 35V
C477	1-124-252-00	ELECT 0.33uF	20% 50V
C478	1-130-489-00	MYLAR 0.033uF	5% 50V
C479	1-102-973-00	CERAMIC 100PF	5% 50V
C492	1-124-464-11	ELECT 0.22uF	20% 50V
C601	1-126-163-11	ELECT 4.7uF	20% 50V
C651	1-126-163-11	ELECT 4.7uF	20% 50V
C701	1-126-163-11	ELECT 4.7uF	20% 50V
C751	1-126-163-11	ELECT 4.7uF	20% 50V
< CONNECTOR >			
CNP202	1-770-388-11	PIN, CONNECTOR (PC BOARD) 4P	
CNP401	1-770-390-11	PIN, CONNECTOR (PC BOARD) 6P	
* CNS402	1-568-439-11	SOCKET, CONNECTOR 7P	
* CNS403	1-568-442-11	SOCKET, CONNECTOR 9P	
< DIODE >			
D421	8-719-987-63	DIODE 1N4148M	
< IC >			
IC404	8-759-636-74	IC M5218AP-22	
< TRANSISTOR >			
Q401	8-729-202-67	TRANSISTOR 2SK246-GR3	

**VOLUME**

Ref. No.	Part No.	Description	Remark
Q402	8-729-922-37	TRANSISTOR 2SD2144S	
Q451	8-729-202-67	TRANSISTOR 2SK246-GR3	
Q452	8-729-922-37	TRANSISTOR 2SD2144S	
< RESISTOR >			
R425	1-249-429-11	CARBON 10K	5% 1/4W
R426	1-249-439-11	CARBON 68K	5% 1/4W
R427	1-249-417-11	CARBON 1K	5% 1/4W
R430	1-249-437-11	CARBON 47K	5% 1/4W
R431	1-249-423-11	CARBON 3.3K	5% 1/4W
R432	1-247-883-00	CARBON 150K	5% 1/4W
R433	1-249-427-11	CARBON 6.8K	5% 1/4W
R434	1-249-413-11	CARBON 470	5% 1/4W
R438	1-249-441-11	CARBON 100K	5% 1/4W
R441	1-249-441-11	CARBON 100K	5% 1/4W
R444	1-247-903-00	CARBON 1M	5% 1/4W
R464	1-247-903-00	CARBON 1M	5% 1/4W
R469	1-247-903-00	CARBON 1M	5% 1/4W
R475	1-249-429-11	CARBON 10K	5% 1/4W
R476	1-249-439-11	CARBON 68K	5% 1/4W
R477	1-249-417-11	CARBON 1K	5% 1/4W
R480	1-249-437-11	CARBON 47K	5% 1/4W
R481	1-249-423-11	CARBON 3.3K	5% 1/4W
R482	1-247-883-00	CARBON 150K	5% 1/4W
R483	1-249-427-11	CARBON 6.8K	5% 1/4W
R484	1-249-413-11	CARBON 470	5% 1/4W
R491	1-249-441-11	CARBON 100K	5% 1/4W
R492	1-247-903-00	CARBON 1M	5% 1/4W
R494	1-247-903-00	CARBON 1M	5% 1/4W
< VARIABLE RESISTOR >			
RV404	1-225-229-11	RES, VAR, CARBON 100KX4 (MASTER VOLUME)	
*****			
MISCELLANEOUS			
*****			
10	1-765-343-11	WIRE (FLAT TYPE) (23 CORE)	
11	1-765-314-11	WIRE (FLAT TYPE) (7 CORE)	
55	1-533-233-11	HOLDER, FUSE	
65	1-769-908-11	WIRE (FLAT TYPE) (9 CORE)	
△ 68	1-769-743-11	CORD, POWER	
△ F901	1-576-109-11	FUSE (5A/125V)	
FL201	1-517-141-11	INDICATOR TUBE, FLUORESCENT	
△ T901	1-429-522-11	TRANSFORMER, POWER(D350Z:CND/DE405:	CND
△ T901	1-429-525-11	TRANSFORMER, POWER(D450Z:US/DE505:US)	
△ T901	1-429-526-11	TRANSFORMER, POWER(D450Z:CND/DE505:	CND)

Ref. No.	Part No.	Description	Remark
△ T901	1-429-699-11	TRANSFORMER, POWER(D350Z:US/DE405:US)	
△ T902	1-450-361-11	TRANSFORMER, POWER	

\*\*\*\*\*

ACCESSORIES & PACKING MATERIALS

\*\*\*\*\*

1-473-630-11	REMOTE COMMANDER (RM-P363)(DE505:CND)
1-473-631-11	REMOTE COMMANDER (RM-U263)(D350Z, D450Z,DE405/DE505:US)

1-501-374-11	ANTENNA, LOOP
1-501-721-11	ANTENNA (LOOP)
3-810-996-21	MANUAL, INSTRUCTION (ENGLISH)(US)
3-810-996-31	MANUAL, INSTRUCTION (FRENCH) (CND)
4-981-643-01	LID, BATTERY (FOR RM-U263/P363)

*	4-982-140-01	INDIVIDUAL CARTON (DE505)
*	4-982-141-01	INDIVIDUAL CARTON (D450Z)
*	4-982-142-01	INDIVIDUAL CARTON (DE405)
*	4-982-143-01	INDIVIDUAL CARTON (D350Z)

\*\*\*\*\*

\*\*\*\*\*

**HARDWARE LIST**

\*\*\*\*\*

#1	7-685-646-79	SCREW +BVTP 3X8 TYPE2 N-S
#2	7-682-560-04	SCREW +BVTT 4X6 (S)
#3	7-682-548-04	SCREW +BVTT 3X8 (S)

The components identified by mark △ or dotted line with mark △ are critical for safety. Replace only with part number specified.

Les composants identifiés par une marque △ sont critiques pour la sécurité. Ne les remplacer que par une pièce portant le numéro spécifié.

**Sony Corporation**  
**Consumer A&V Products Company**  
**Home A&V Products Div.**

English  
 96C027023-1  
 Printed in Singapore  
 © 1996.3  
 Published by Home A&V Products Div.  
 Quality Engineering Dept.